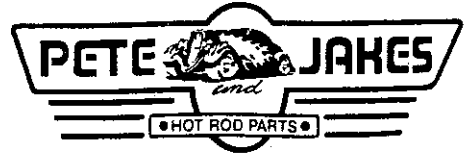


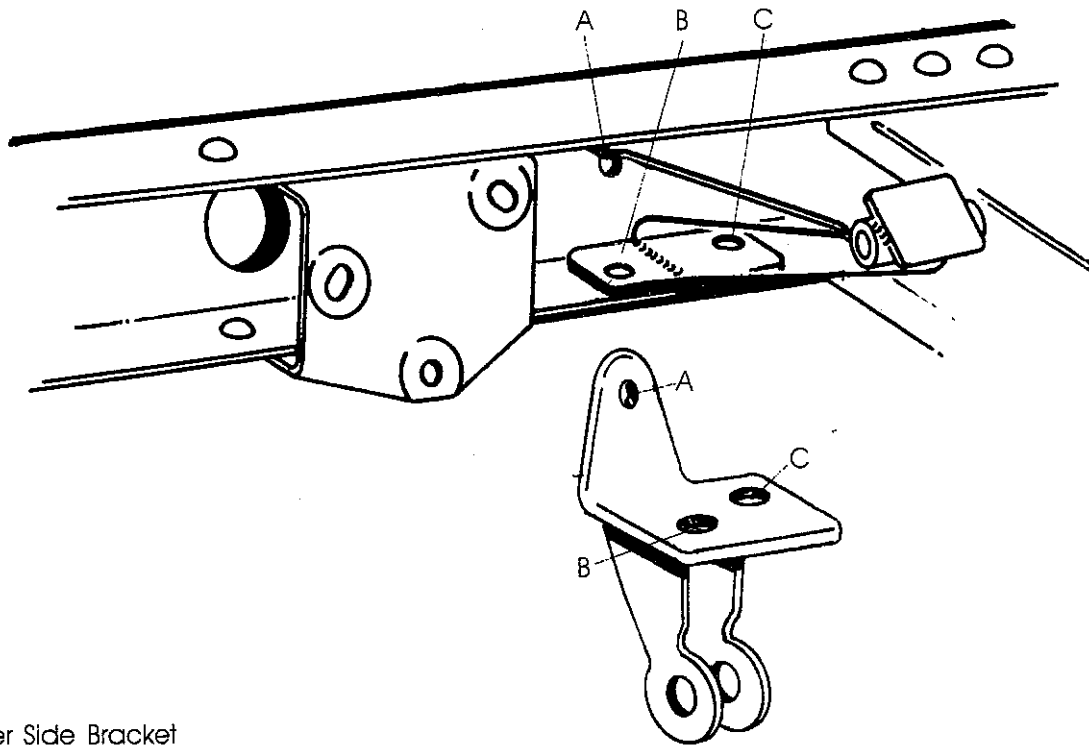
1015, 1015A

INSTRUCTIONS FOR INSTALLATION OF PANHARD KIT

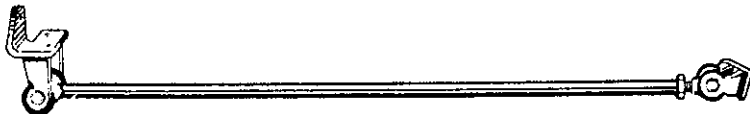


Pete & Jake's Hot Rod Parts • 401 Legend Lane •
Peculiar, MO 64078 • Tech line 800-334-7240

'35 - '40 FORD



Driver Side Bracket



Passenger Side Bracket

End brackets are predrilled with $\frac{3}{8}$ " holes.

To mount driver side bracket, simply drill one $\frac{3}{8}$ " hole in outside rail. Bracket is then ready to bolt on aligning with existing holes in driver side motor mount.

Next, mount passenger side bracket by drilling two $\frac{3}{8}$ " holes in the wishbone passenger side. To determine location of holes, measure $3 \frac{5}{8}$ " and $4 \frac{7}{8}$ " from center of perch bolt hole, locate on vertical center of wishbone and mark.

To complete installation, press microflex bushings into bar ends and bolt onto brackets. Panhard bar can be adjusted for proper alignment by screwing in or out, lengthening or shortening as necessary.

- 1015 36 $\frac{1}{2}$ " PERCH CENTER (MOST AFTERMARKET)
- 1015A 38 $\frac{1}{2}$ " PERCH CENTER (STOCK)