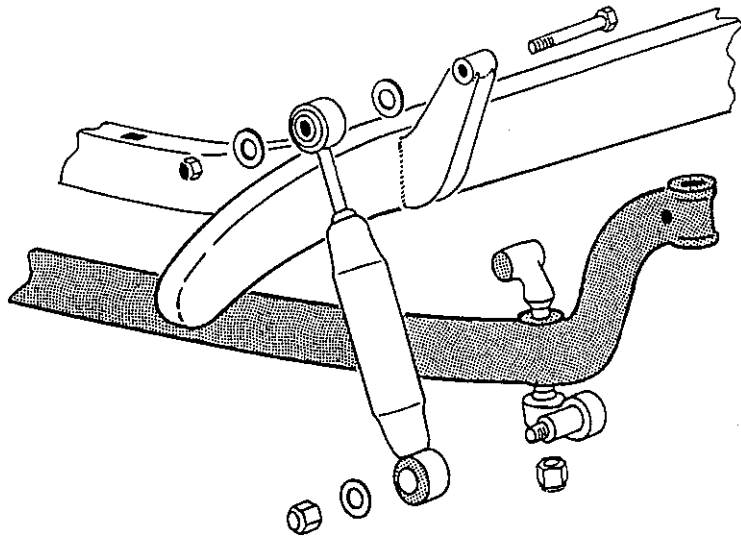


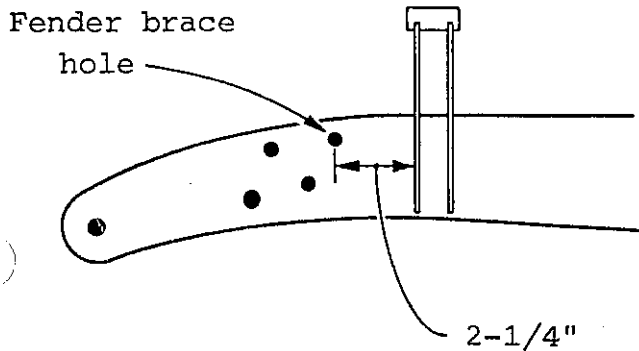
# MODEL 'A' & '32 FORD

## FRONT SHOCK MOUNTING KIT



This shock kit, as shown, is designed for use with a 4" dropped axle. A stock axle or an axle of less amount of drop may cause the spindle steering arm to hit the shock absorber, in which case lower bolt-on mounts can be rotated or swapped side for side to provide clearance.

### MODEL A



### '32 FORD

