

REAR SHOCK KIT

401 Legend Lane • Peculiar, MO 64078

Tech Line (816) 758-4504

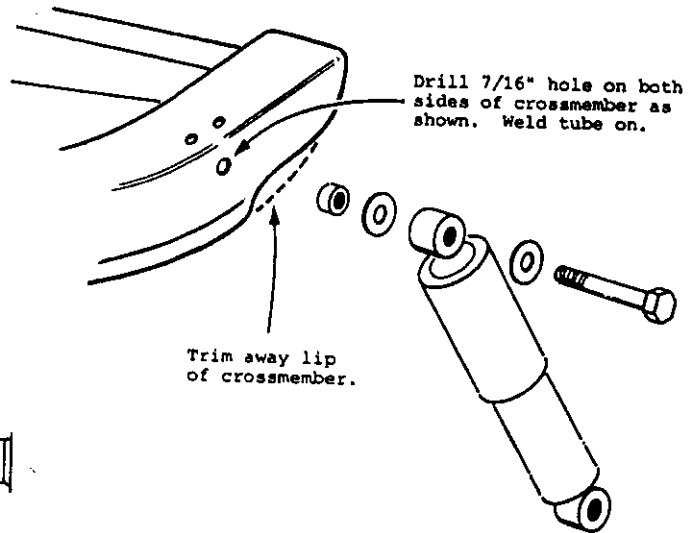
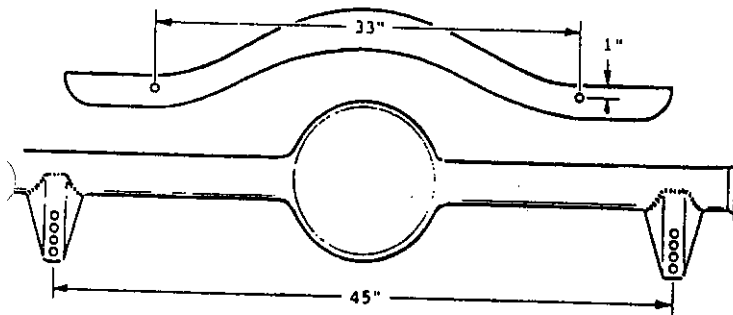
800-334-7240

Fax (816) 758-4512

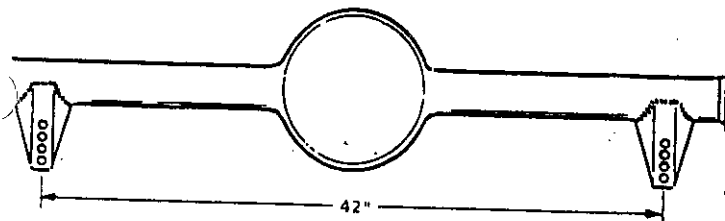
The components used in this kit are the same for '28 thru '40 Fords. Be sure to follow only the instructions pertaining to the year of car being worked on.

COPYRIGHT JAN. 1981 PETE & JAKE'S

FOR MODEL A FORDS



FOR '32 FORDS



Enlarge stock hole to 7/16" and drill one on other side of crossmember to match. Weld tube to crossmember.

