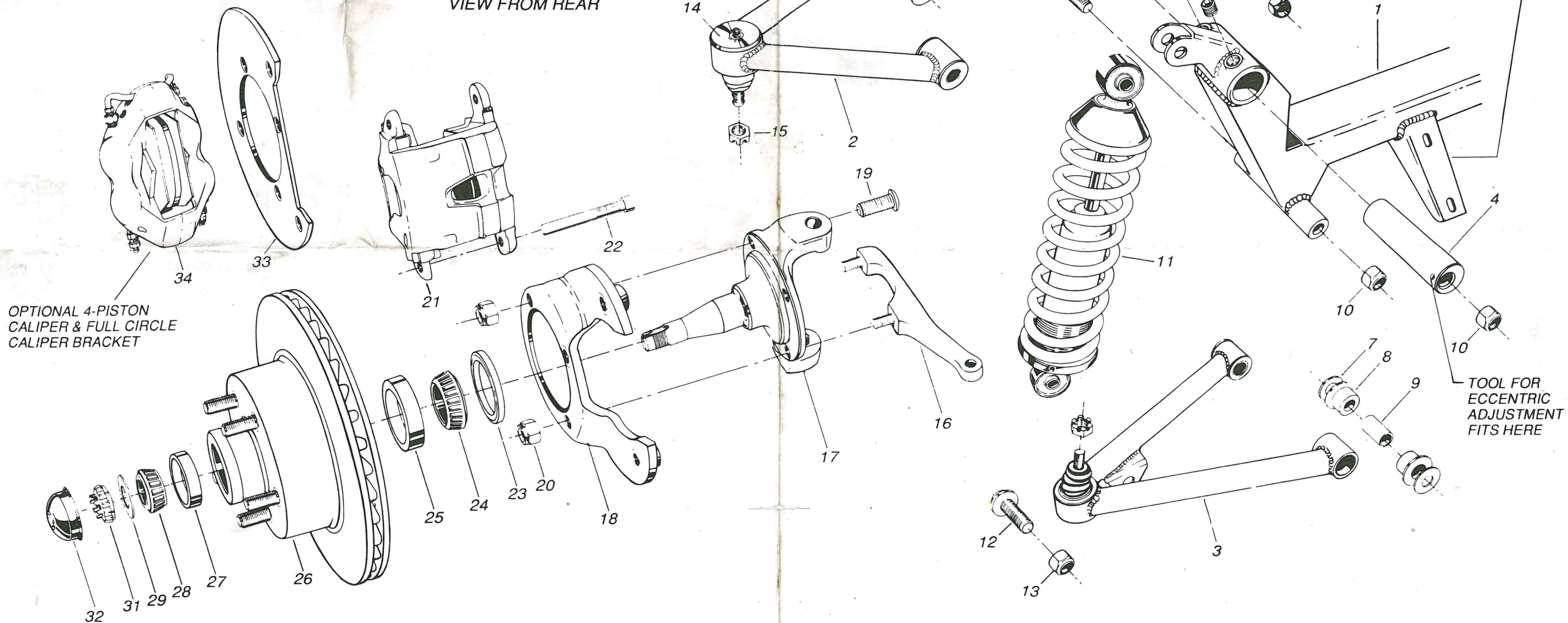


'28-'34 INDEPENDENT FRONT SUSPENSION

1416 WEST BROOKS ST., ONTARIO, CA 91762 • 909-984-1773

LEFT (DRIVER'S) SIDE SHOWN
VIEW FROM REAR



RACK & PINION STEERING MOUNTS TO REAR ON THESE MOUNTING BRACKETS

OPTIONAL 4-PISTON CALIPER & FULL CIRCLE CALIPER BRACKET

TOOL FOR ECCENTRIC ADJUSTMENT FITS HERE

PARTS LIST...

NO.	DESCRIPTION	QTY	NO.	DESCRIPTION	QTY	NO.	DESCRIPTION	QTY	NO.	DESCRIPTION	QTY	NO.	DESCRIPTION	QTY
1	IFS Crossmember	1	7	Stainless Cup Washer	16	13	Coil-Over Mounting Locknut	4	19	Caliper Bracket Mounting Bolt	4	25	Inner Bearing Race - installed	2
2	Upper Control Arm - Left	L&R	8	Control Arm Bushing Half	16	14	Ball Joint - installed	4	20	Caliper Bracket Locknut	8	26	Brake Rotor	2
3	Lower Control Arm	2	9	Bushing Sleeve	8	15	Ball Joint Castle Nut	4	21	Standard Caliper - Left	L&R	27	Outer Bearing Race - installed	2
4	Eccentric	2	10	Control Arm Mounting Locknut	4	16	Steering Arm - Left	L&R	22	Standard Caliper Mounting Bolt	4	28	Outer Bearing - installed	2
5	Eccentric Lock Set-Screw	4	11	Coil-Over Shock	2	17	Spindle	2	23	Grease Seal - installed	2	29	Spindle Washer	2
6	Control Arm Mounting Bolt	4	12	Coil-Over Mounting Bolt	4	18	Standard Caliper Brkt - Left	L&R	24	Inner Bearing - installed	2	30	Cotter Key - not pictured	2
												31	Spindle Nut with Lock	2
												32	Grease Cap	2
												33	Optional Full-Circle Caliper Bracket - Left	L&R
												34	Optional 4-Piston Caliper - Left	L&R