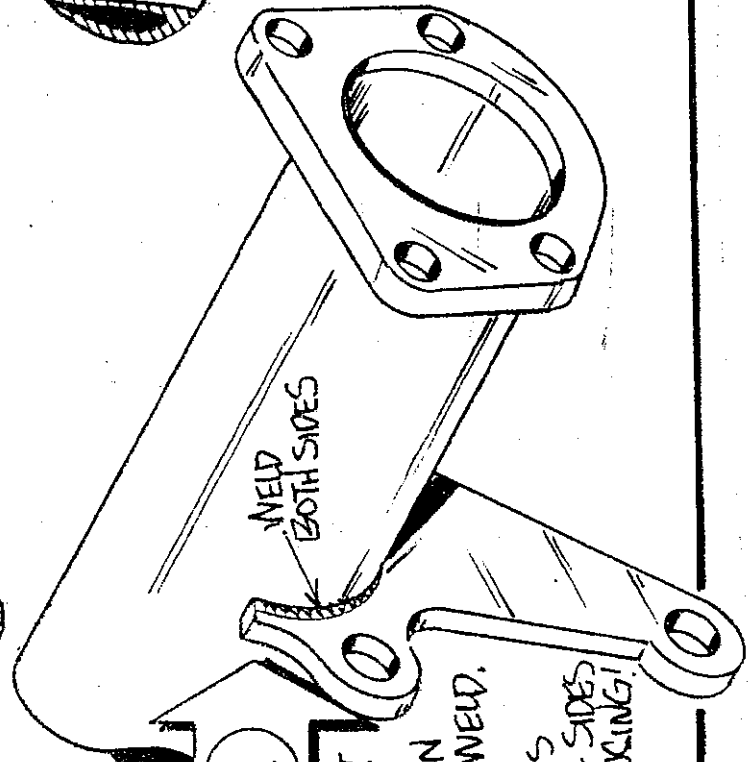
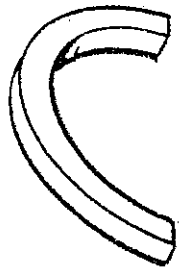
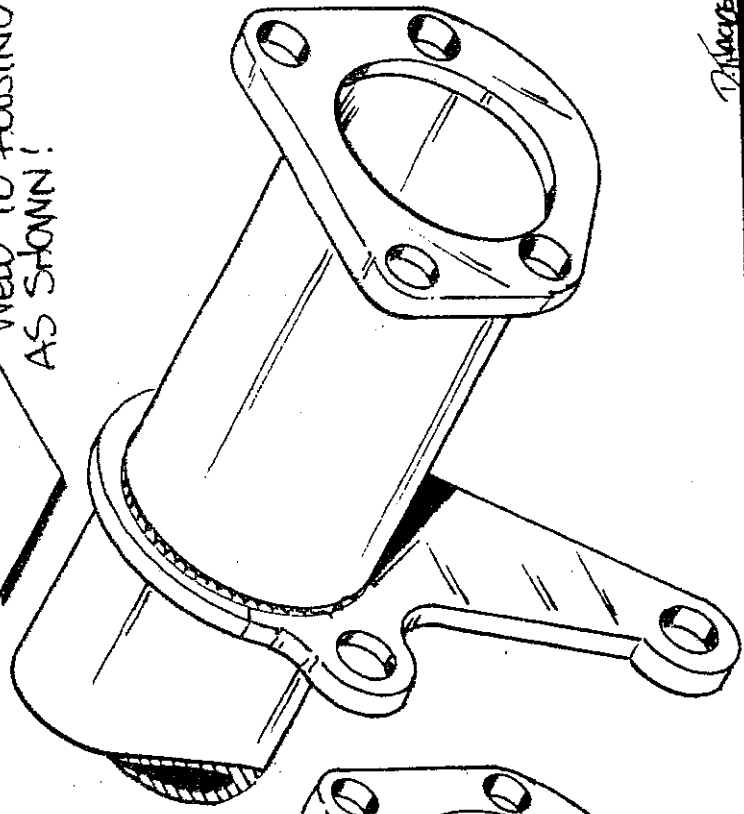
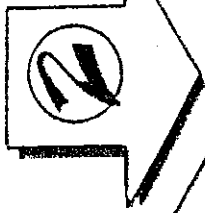




POSITION TOP OF BRACKET  
ON HOUSING, TACK WELD,  
CHECK YOUR ALIGNMENT,  
WELD TO HOUSING  
AS SHOWN!



1

CUT BRACKET AT  
THE CENTER LINE...  
...ALIGN BOTTOM ON  
HOUSING AND TACK WELD.  
AFTER ALIGNMENT IS  
CORRECT, WELD BOTH SIDES  
OF BRACKET TO HOUSING!

Approved by