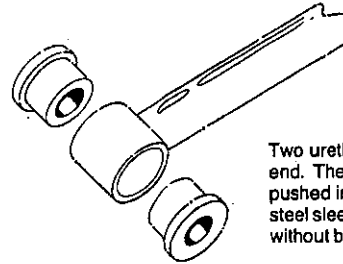


401 Legend Lane • Peculiar, MO 64078

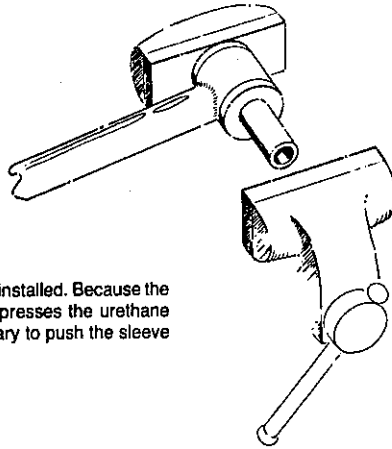
Tech Line (816) 758-4504

800-334-7240

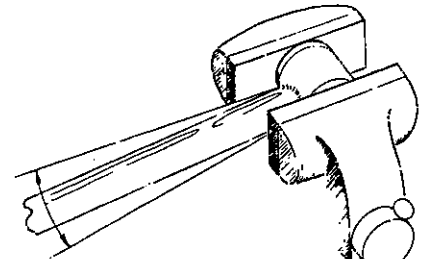
Fax (816) 758-4512



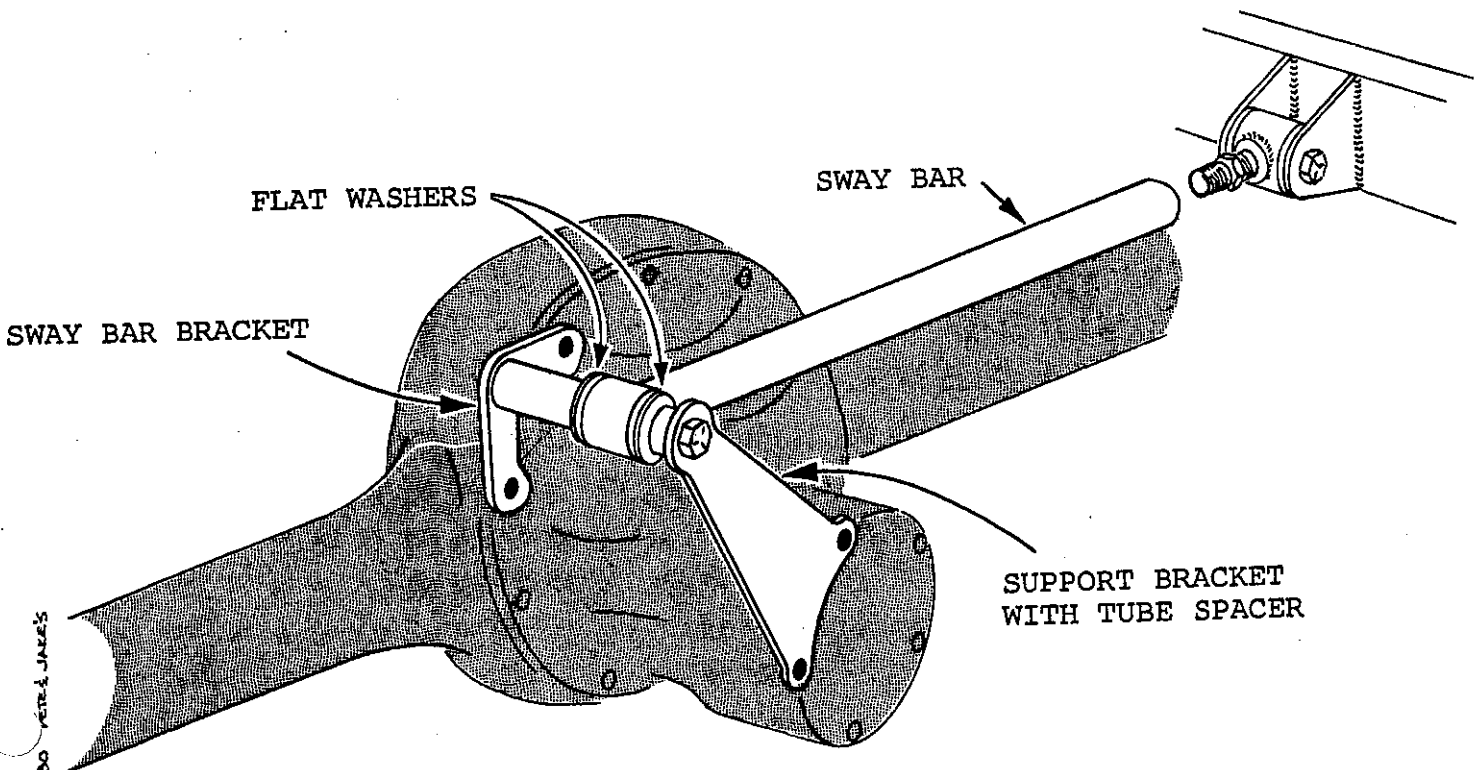
Two urethane bushing halves go into each bar end. They are a snug fit so be sure they are pushed in as far as they will go before inserting steel sleeve. Bars should be painted or chromed without bushings installed.



Steel inner sleeve is now installed. Because the inner sleeve slightly compresses the urethane bushing it will be necessary to push the sleeve through in a vise.



After vise is tightened against inner sleeve, wiggle bar back and forth a few times so inner sleeve will self center in bushing. Adjustable end must be installed into bar to complete this operation.



NOTE: Remove and discard U-joint cover if rearend is so equipped, and install brackets as shown with all bolts in place before tightening.