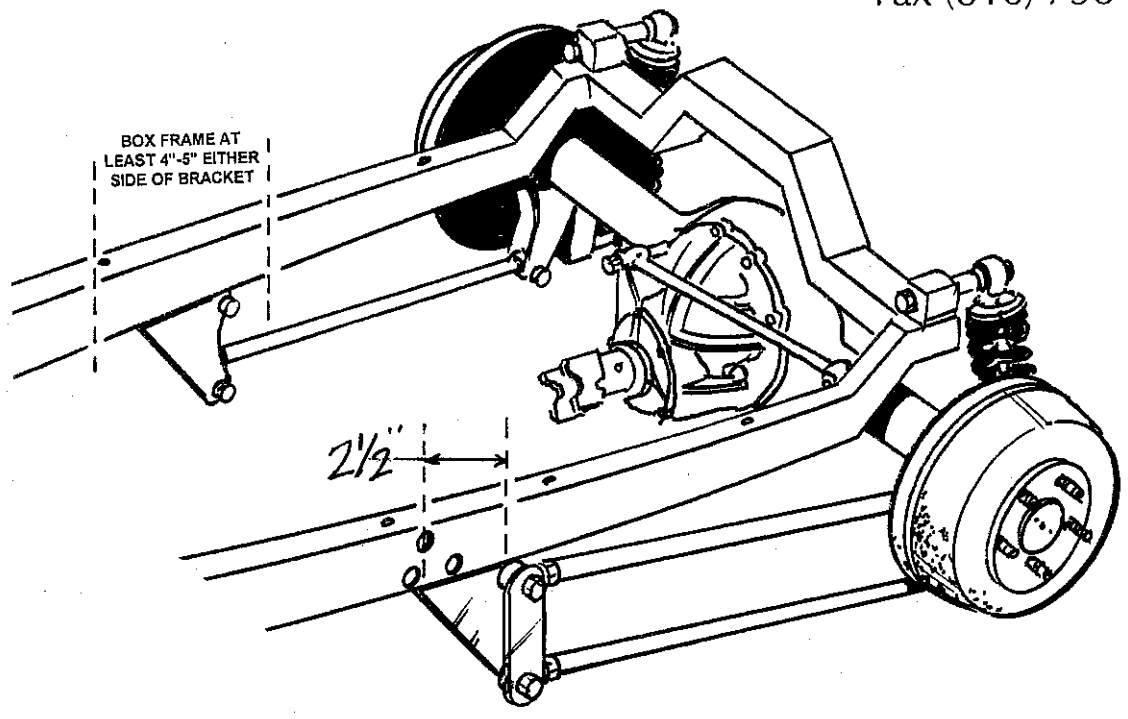


INSTRUCTION FOR #2017

# '28-'31 Model 'A' PARALLEL 4-BAR®

Tech Line (816) 758-4504  
800-334-7240  
Fax (816) 758-4512



- BOX FRAME AT LEAST 4"-5" ON EITHER SIDE OF FRONT MOUNTING BRACKETS
1. TO LOCATE FRONT MOUNTING BRACKETS, MEASURE 2 1/2" BACK FROM CENTER OF TOP RUNNING BOARD BRACKET HOLE TO CENTER OF HOLES IN MOUNTING BRACKET. BE SURE HOLES ALIGN PERPENDICULAR TO FRAME.
  2. LOCATE REAR BRACKETS 41 5/8" APART FROM CENTER OF COIL-OVER MOUNTING HOLES. BRACKETS MUST BE PLACED AN EQUAL DISTANCE FROM EACH END OF AXLE HOUSING. FRONT FACE OF HOUSING MUST BE PARALLEL TO REAR FACE OF MOUNTING BRACKETS.

