

# VIPER

SUSPENSION PRODUCTS

BY PETE & JAKE'S

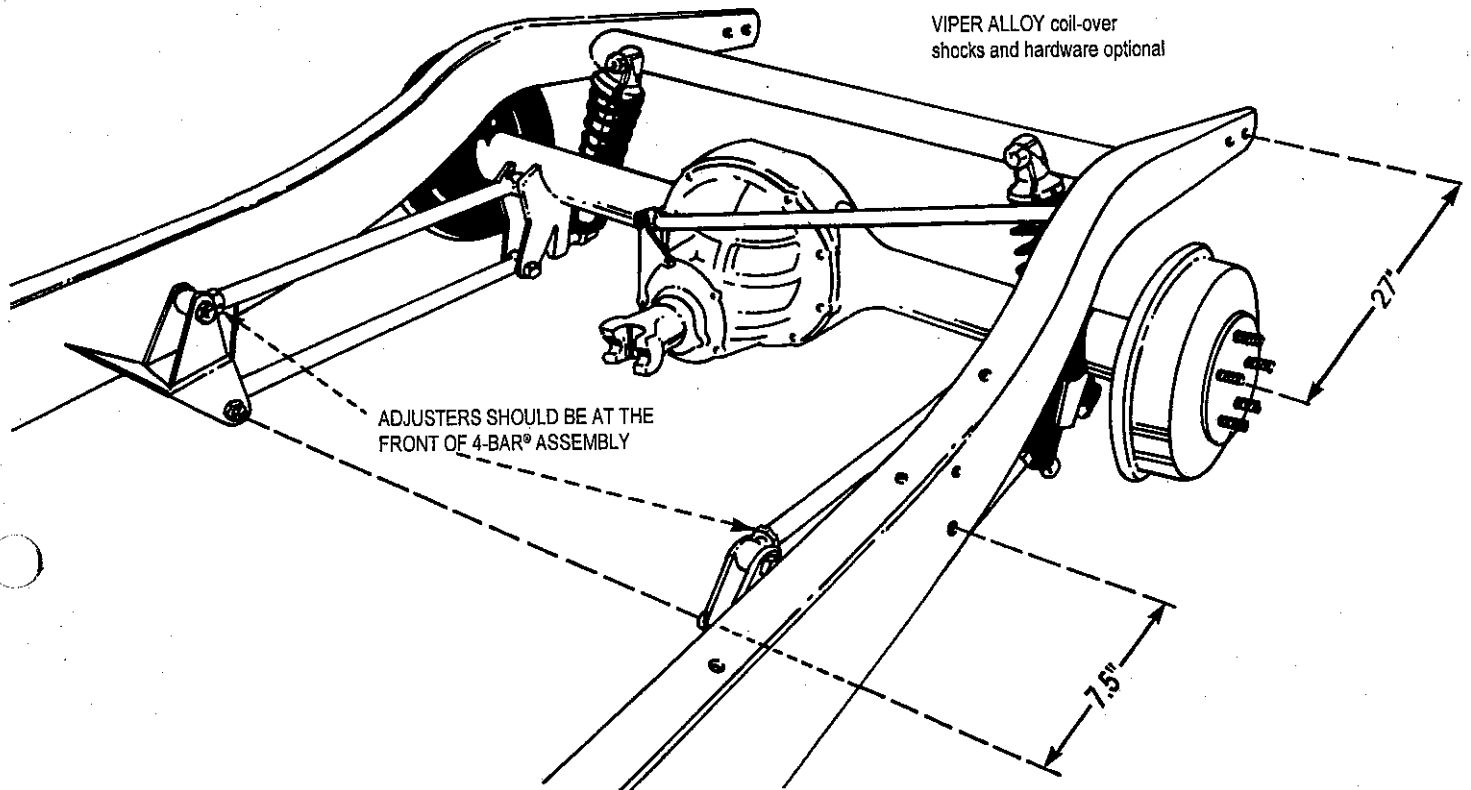
INSTRUCTION FOR #3017

## '32 PARALLEL 4-BAR®

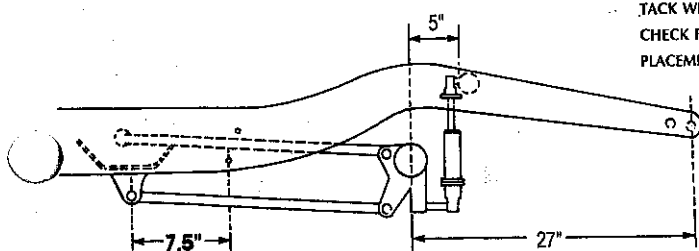
Tech Line (816) 758-4504

800-334-7240

Fax (816) 758-4512



1. TO LOCATE CENTER OF BOTTOM BOLT HOLE IN FRONT MOUNTING BRACKET, MEASURE 7.5" FORWARD OF THE CENTER OF THE LOWER FENDER HOLE. BRACKET IS PLACED INSIDE THE FRAME, FLUSH WITH THE BOTTOM OF RAIL, AS SHOWN.
2. AXLE BRACKETS ARE PLACED 35 1/2" APART AT THE CENTER OF THE SHOCK MOUNT HOLES. BRACKETS MUST BE AN EQUAL DISTANCE FROM AXLE ENDS. AXLE HOUSING FACE MUST BE PARALLEL TO THE BACK OF REAR AXLE BRACKETS.
3. THE CENTER OF THE AXLE IS PLACED 27" FORWARD OF THE CENTER OF SPREADER BAR HOLE. BE SURE AXLE IS CENTERED IN WHEEL WELL BEFORE WELDING.



TACK WELD ALL BRACKETS AND CHECK FOR ALIGNMENT AND PLACEMENT BEFORE FINAL WELDING

