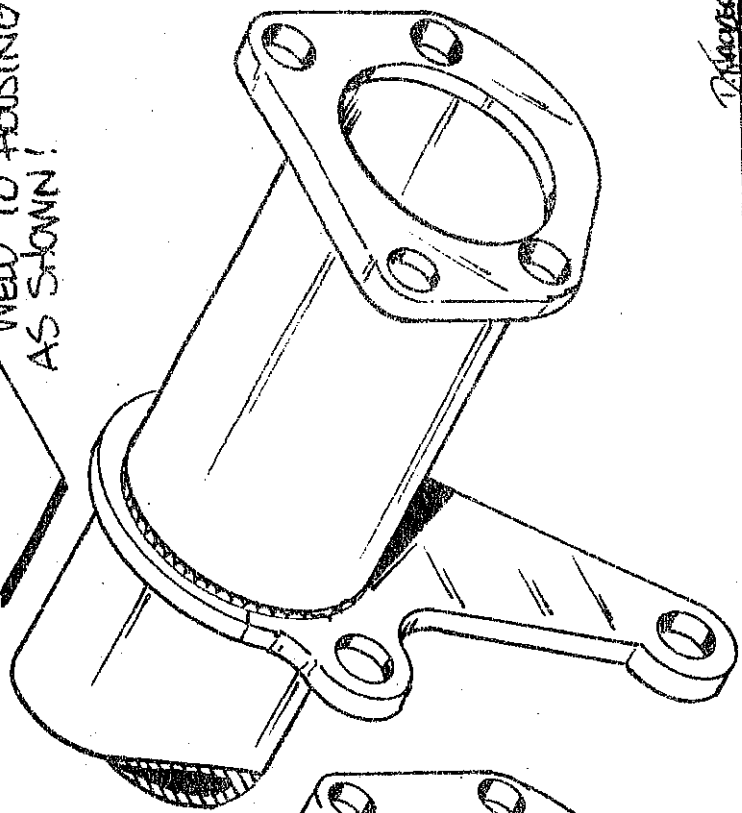
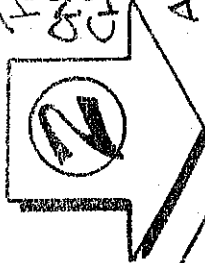




POSITION TOP OF BRACKET ON HOUSING, TACK WELD, CHECK YOUR ALIGNMENT, WELD TO HOUSING AS SHOWN!



APPROVED BY

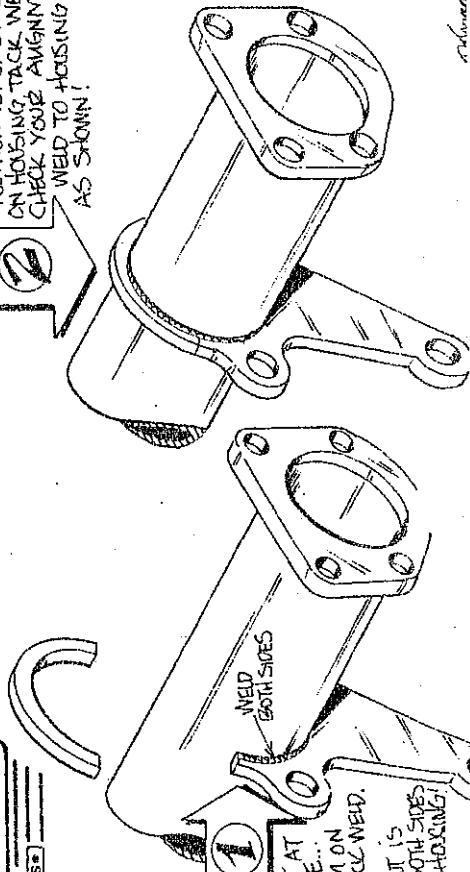
WELD BOTH SIDES

1

CUT BRACKET AT THE CENTER LINE... ALIGN BOTTOM ON HOUSING AND TACK WELD. AFTER ALIGNMENT IS CORRECT, WELD BOTH SIDES OF BRACKET TO HOUSING!



POSITION TOP OF BRACKET ON HOUSING, TACK WELD, CHECK YOUR ALIGNMENT, WELD TO HOUSING AS SHOWN!



WELD BOTH SIDES

1

CUT BRACKET AT THE CENTER LINE... ALIGN BOTTOM ON HOUSING AND TACK WELD. AFTER ALIGNMENT IS CORRECT, WELD BOTH SIDES OF BRACKET TO HOUSING!

APPROVED BY