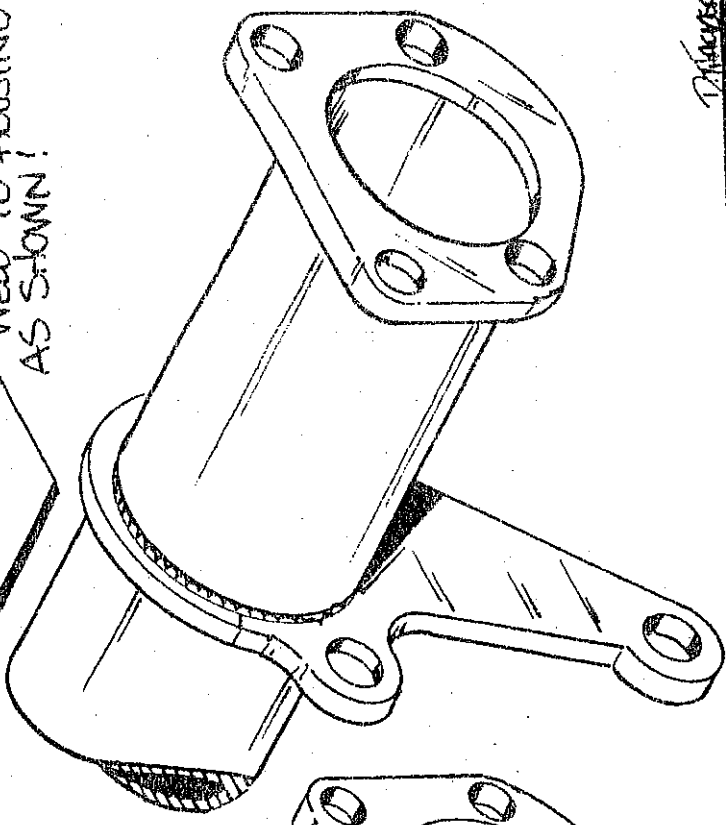




POSITION TOP OF BRACKET ON HOUSING TACK WELD, CHECK YOUR ALIGNMENT, WELD TO HOUSING AS SHOWN!



Position of



1

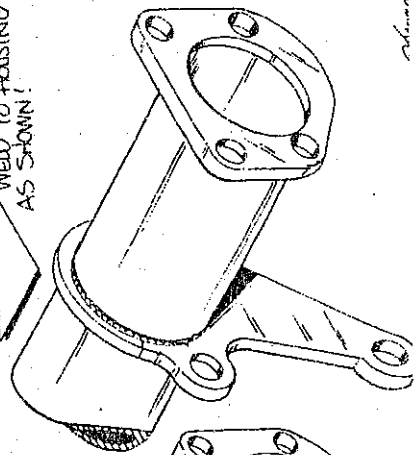
WELD BOTH SIDES

CUT BRACKET AT THE CENTER LINE... ALIGN BOTTOM ON HOUSING AND TACK WELD. AFTER ALIGNMENT IS CORRECT, WELD BOTH SIDES OF BRACKET TO HOUSING!



POSITION TOP OF BRACKET ON HOUSING TACK WELD, CHECK YOUR ALIGNMENT, WELD TO HOUSING AS SHOWN!

2



1

WELD BOTH SIDES

CUT BRACKET AT THE CENTER LINE... ALIGN BOTTOM ON HOUSING AND TACK WELD. AFTER ALIGNMENT IS CORRECT, WELD BOTH SIDES OF BRACKET TO HOUSING!

Position of