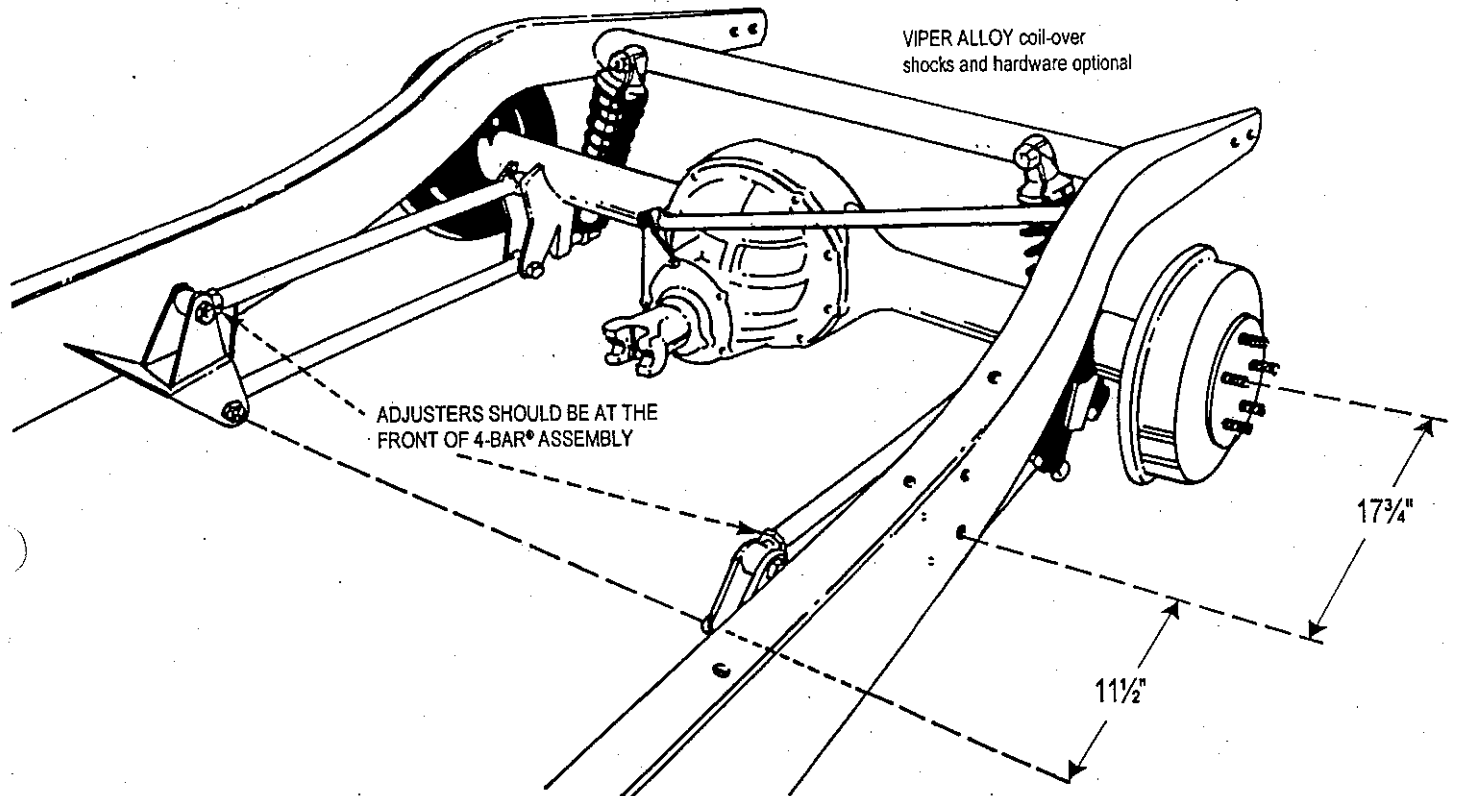


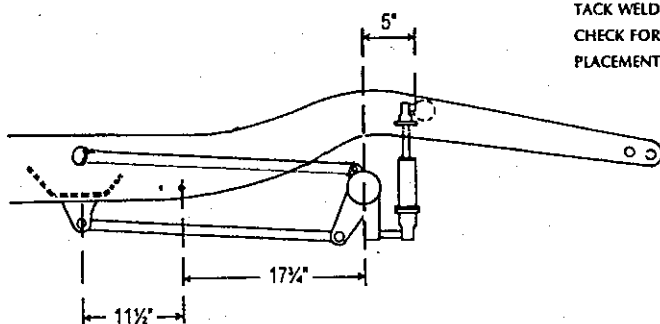
INSTRUCTION FOR #4017RP

# '34 PARALLEL 4-BAR®

Tech Line (816) 758-4504  
800-334-7240  
Fax (816) 758-4512



1. TO LOCATE LOWER INSIDE BRACKET, MEASURE FROM CENTER OF TOP BODY MOUNT HOLE, FORWARD 11½" TO CENTER OF BRACKET HOLE.
2. AXLE BRACKETS ARE PLACED 36½" APART AT THE CENTER OF THE SHOCK MOUNT HOLES. BRACKETS MUST BE AN EQUAL DISTANCE FROM AXLE ENDS. AXLE HOUSING FACE MUST BE PARALLEL TO THE BACK OF REAR AXLE BRACKETS.



TACK WELD ALL BRACKETS AND CHECK FOR ALIGNMENT AND PLACEMENT BEFORE FINAL WELDING

