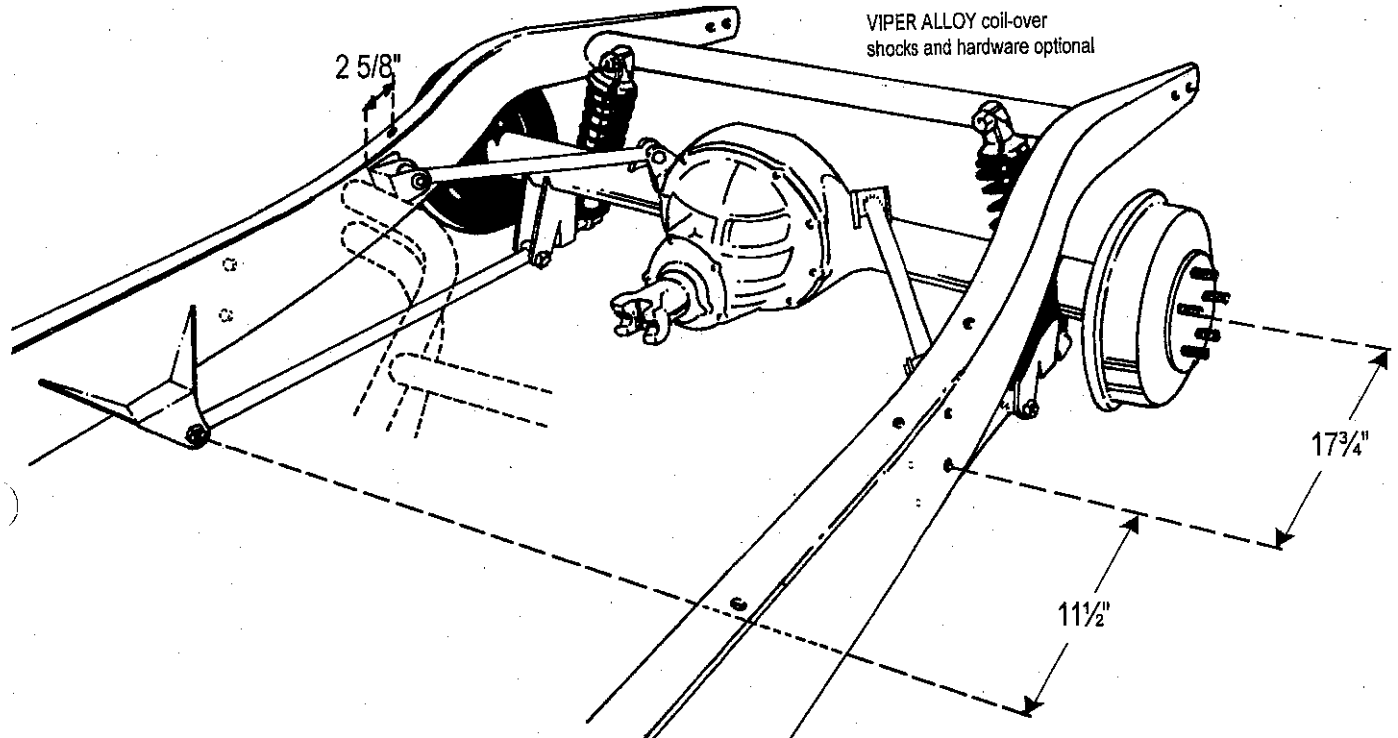


INSTRUCTION FOR #4018

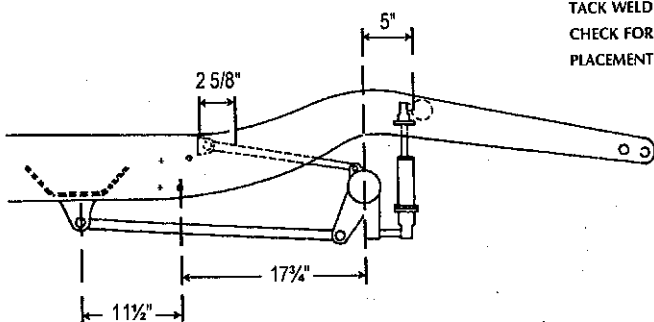
# '34 FORD TRIANGULATED 4-BAR®

Tech Line (816) 758-4504  
800-334-7240  
Fax (816) 758-4512



VIPER ALLOY coil-over shocks and hardware optional

1. TO LOCATE TOP BRACKET ON FRAME, MEASURE FROM CENTER OF TOP BODY MOUNT HOLE, FORWARD 2 5/8" TO FRONT FACE OF BRACKET.
2. TO LOCATE LOWER INSIDE BRACKET, MEASURE FROM CENTER OF LOWER FENDER MOUNT HOLE, FORWARD 11 1/2" TO CENTER OF BRACKET HOLE.
3. AXLE BRACKETS ARE PLACED 36 1/2" APART AT THE CENTER OF THE SHOCK MOUNT HOLES. BRACKETS MUST BE AN EQUAL DISTANCE FROM AXLE ENDS. AXLE HOUSING FACE MUST BE PARALLEL TO THE BACK OF REAR AXLE BRACKETS.



TACK WELD ALL BRACKETS AND CHECK FOR ALIGNMENT AND PLACEMENT BEFORE FINAL WELDING

