



'35-'40 FORD

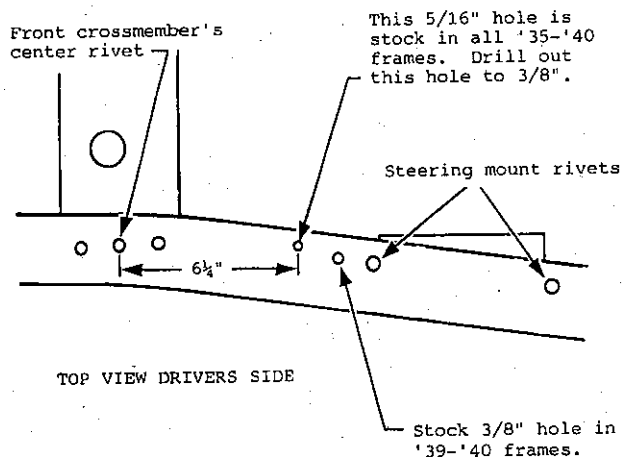
SMALL BLOCK CHEVY MOTOR MOUNTS

Pete & Jake's Hot Rod Parts • 401 Legend Lane
Peculiar, MO 64078 • Tech line 800-334-7240

NOTE: Be sure to use original type '58-'72 Chevy rubber insulator mounts (non-interlock style).

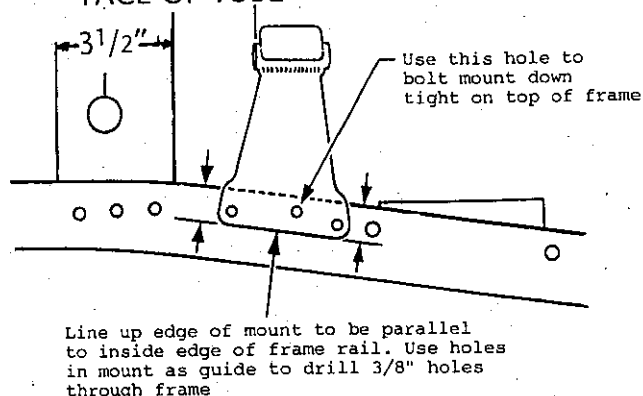
NOTE:
MEASUREMENTS CAN VARY WITH
ORIGINAL FRAMES

STEP #1

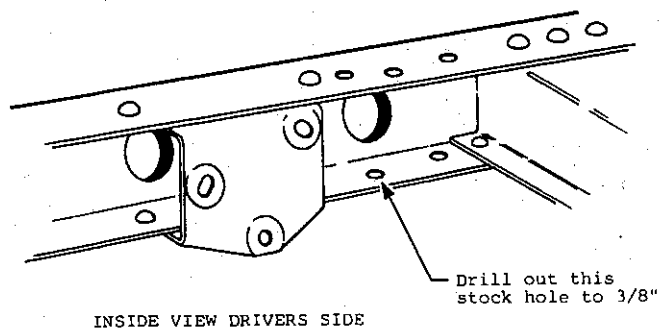


STEP #2

CENTER OF CROSSMEMBER TO FACE OF TUBE



STEP #3



STEP #4

