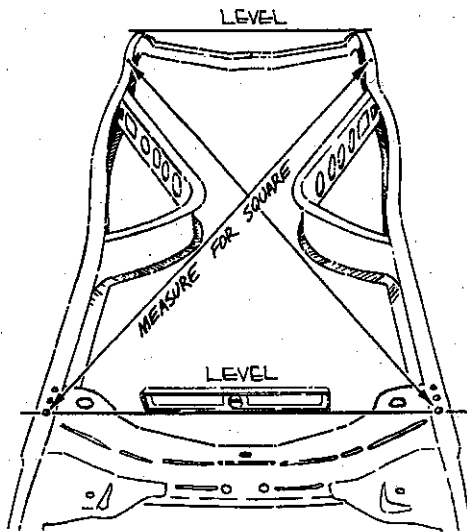




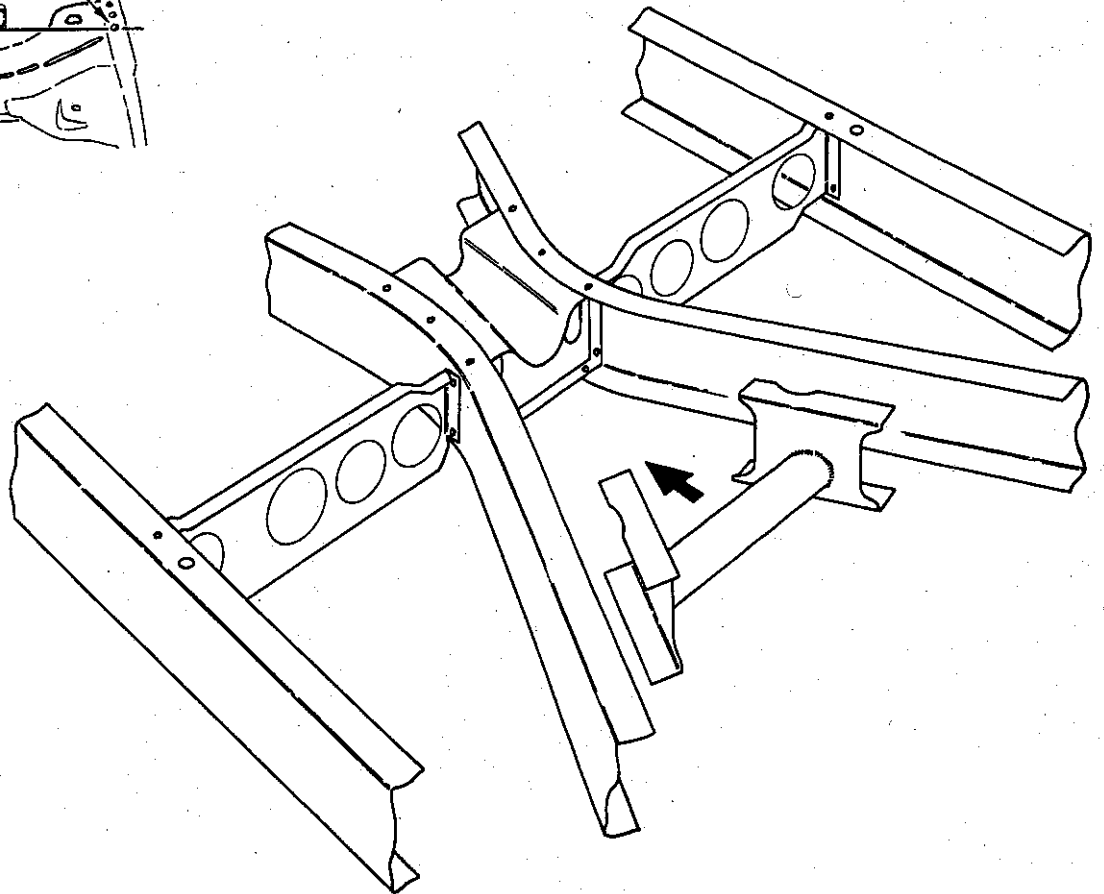
'35-'40 FORD

X-MEMBER SUPPORT

Pete & Jake's Hot Rod Parts • 401 Legend Lane •
Peculiar, MO 64078 • Tech line 800-334-7240



The X-member support restores the torsional strength of the stock cradle. It is very important that the frame be level (side to side) at front and rear when the X-member support is welded or bolted in place or the frame may have a twist (one corner lower than the others.) Also make sure the frame is at stock width and measures the same from opposite corners of the frame in a "X" pattern.



If the stock cradle is still in place, you can install the support and then remove the cradle by cutting it to pieces with a torch. Support slips into X-member channels from the rear. Fit should be snug! Use a rubber hammer to drive the support as far forward as possible.

(over)