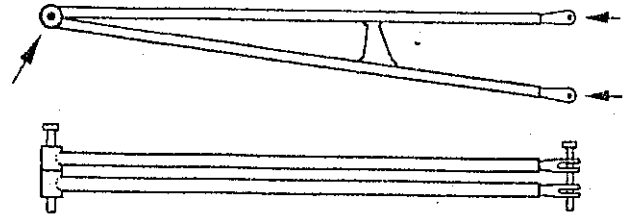




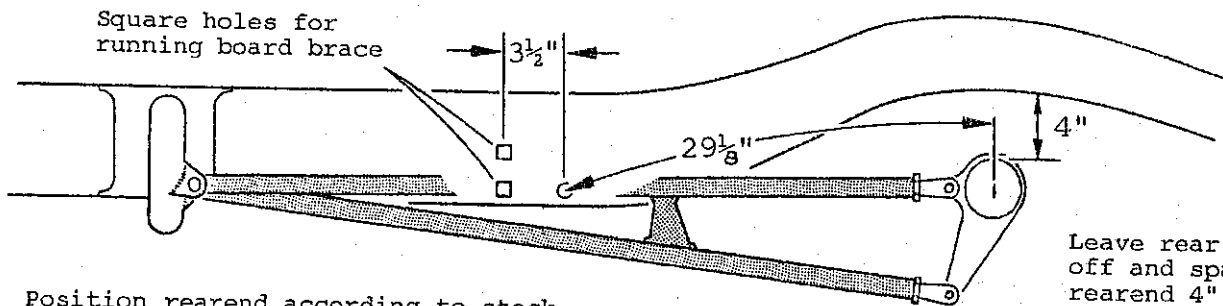
# '35-'40 FORD

## LADDER BAR KIT

Pete & Jake's Hot Rod Parts • 401 Legend Lane •  
 Peculiar, MO 64078 • Tech line 800-334-7240

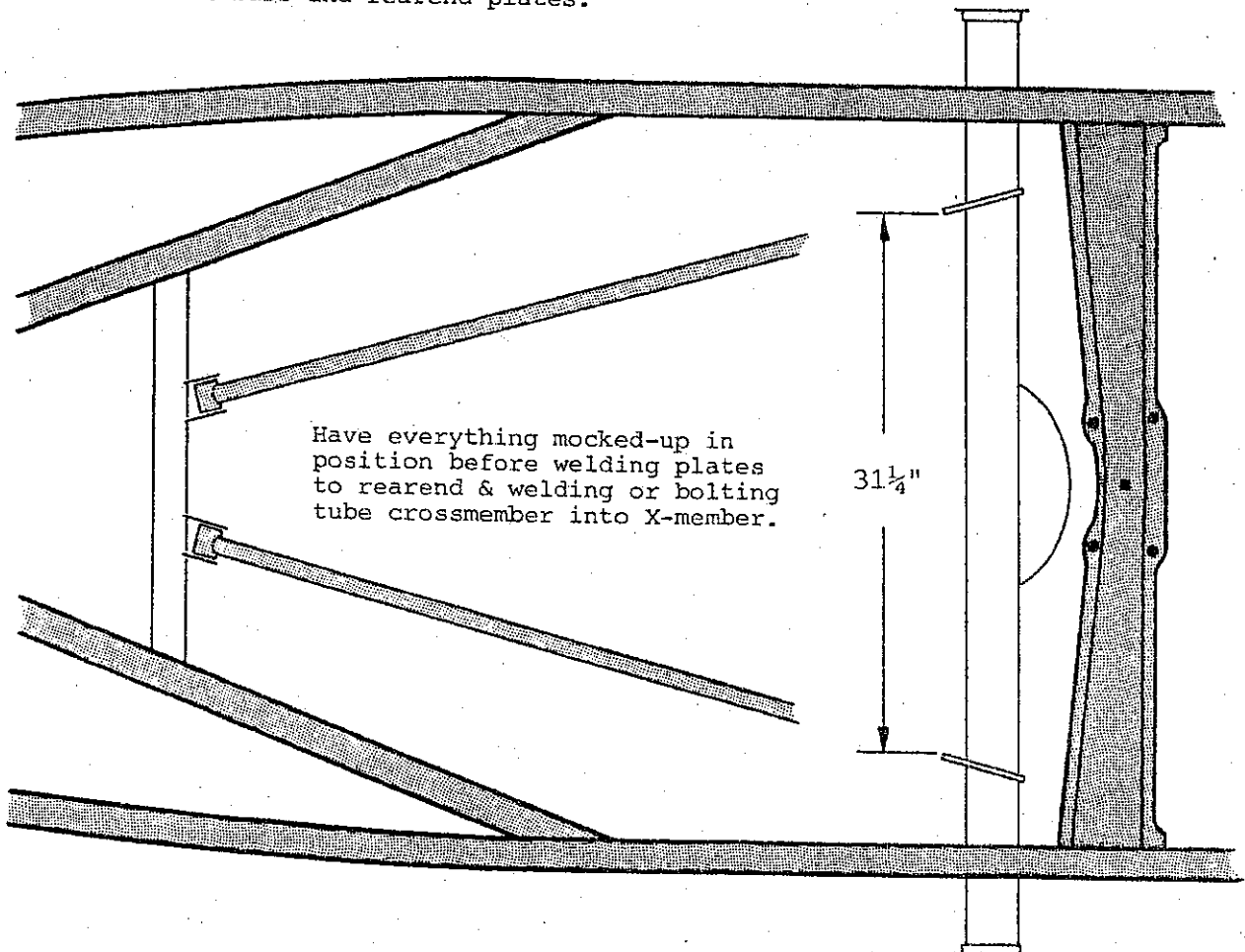


When assembling bars, lay one bar over the other and line up all 3 hook-up points with bolts.



Position rearend according to stock hole shown in frame rail (this hole is either square or round depending on year of car.) Slip tube crossmember into X-member and assemble bars and rearend plates.

Leave rear spring off and space the rearend 4" down from frame rail.



Have everything mocked-up in position before welding plates to rearend & welding or bolting tube crossmember into X-member.