

#5017RP

# FORD 35-40

# VIPER

SUSPENSION PRODUCTS

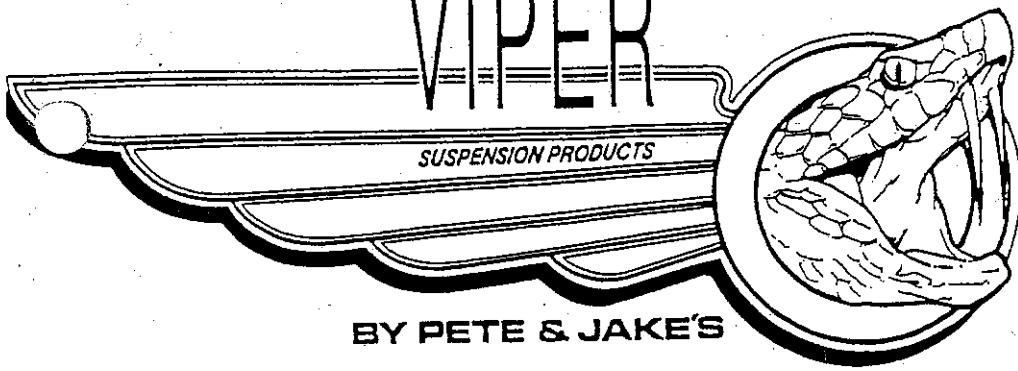
BY PETE & JAKE'S

## PARALLEL 4-BAR

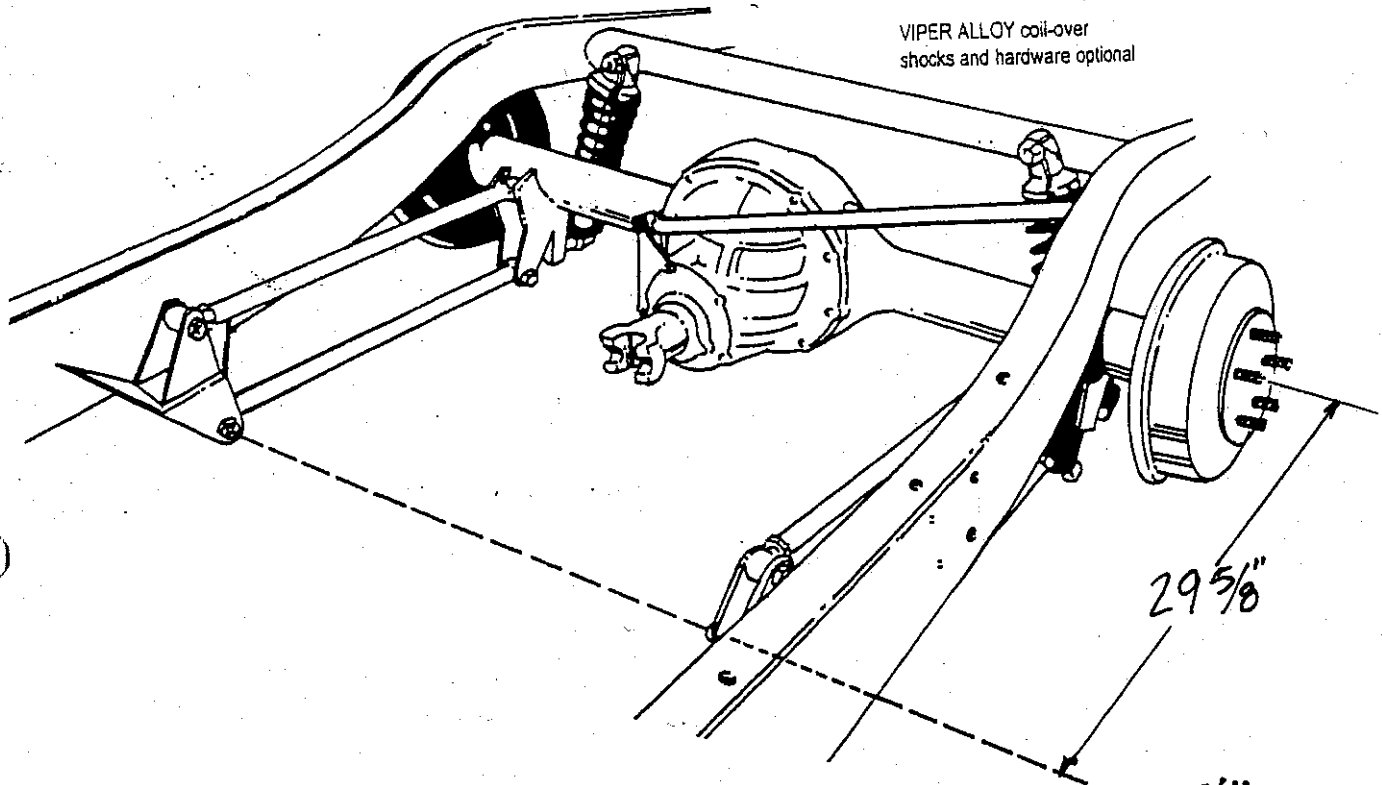
Tech Line (816) 758-4504

800-334-7240

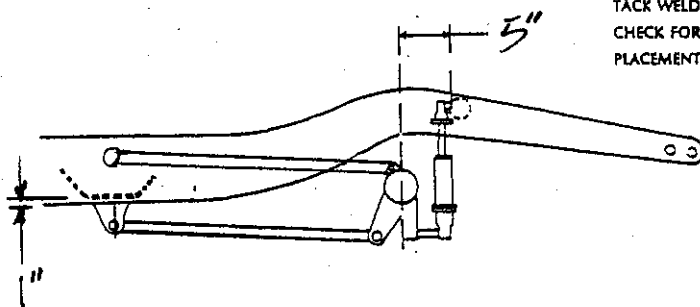
Fax (816) 758-4512



VIPER ALLOY coil-over shocks and hardware optional



- MEASURE FROM AXLE CENTER FORWARD  $29\frac{5}{8}$ " TO CENTER OF BRACKET.
- MOVE BRACKET UP 1" FROM BOTTOM OF FRAME TO MAKE BARS PARALLEL.



TACK WELD ALL BRACKETS AND CHECK FOR ALIGNMENT AND PLACEMENT BEFORE FINAL WELDING

