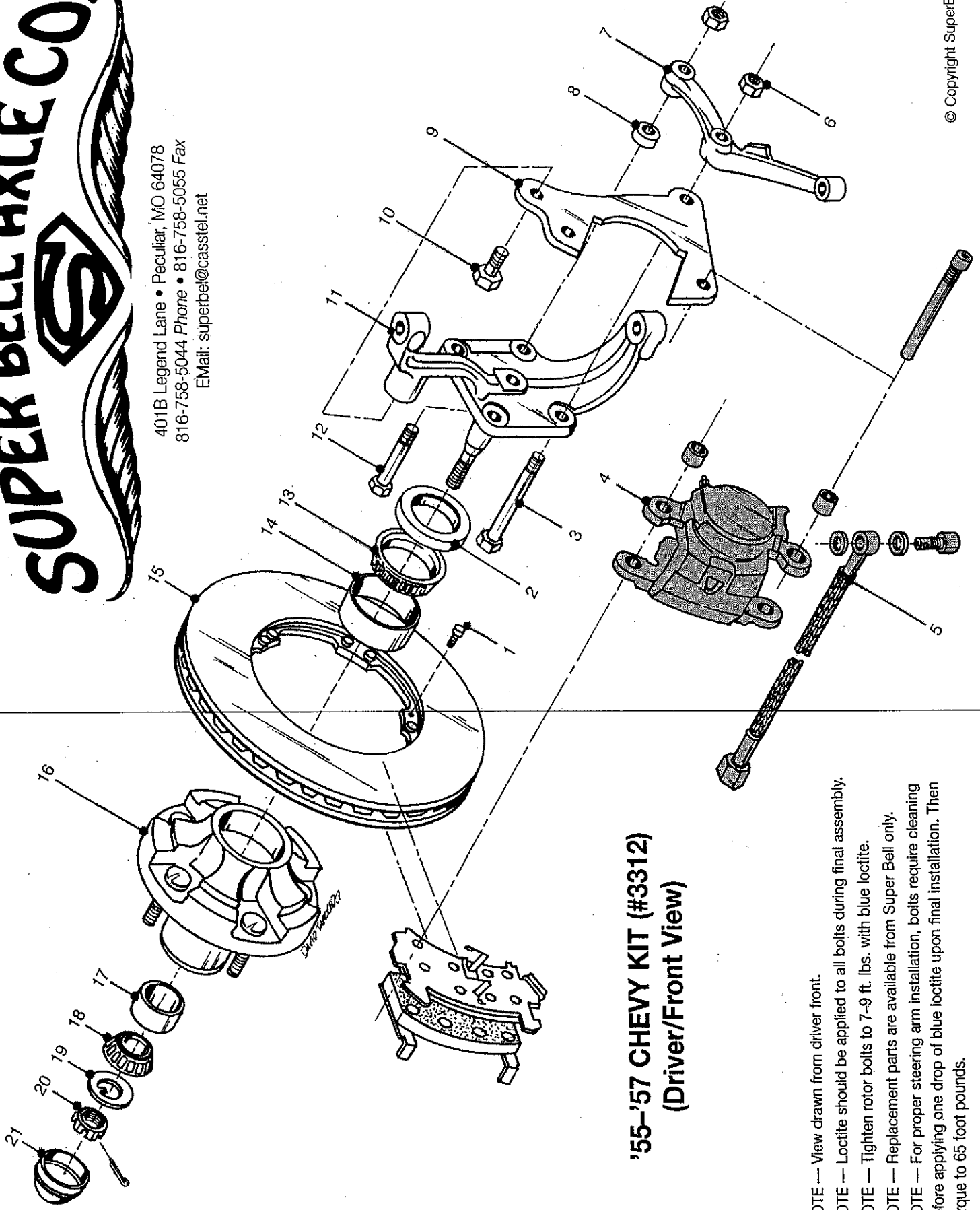


# SUPER BELL AXLE CO.

401B Legend Lane • Peculiar, MO 64078  
 816-758-5044 Phone • 816-758-5055 Fax  
 Email: superbel@casstel.net



## '55-'57 CHEVY KIT (#3312) (Driver/Front View)

- NOTE — View drawn from driver front.
- NOTE — Loctite should be applied to all bolts during final assembly.
- NOTE — Tighten rotor bolts to 7-9 ft. lbs. with blue loctite.
- NOTE — Replacement parts are available from Super Bell only.
- NOTE — For proper steering arm installation, bolts require cleaning before applying one drop of blue loctite upon final installation. Then torque to 65 foot pounds.