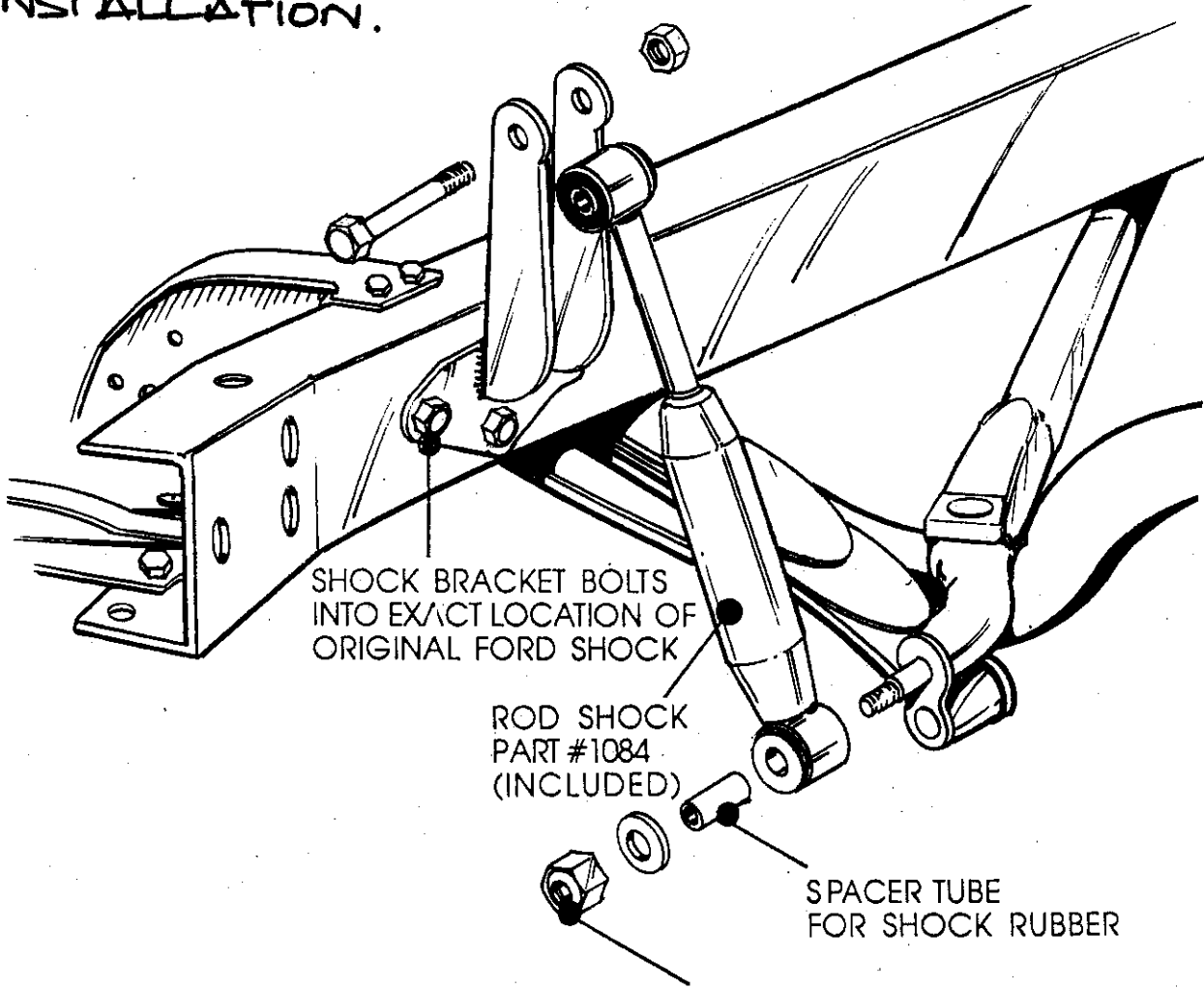


Instructions for #6001

# '42-'48 FORD

## FRONT SHOCK KIT

(NOTE: Will work on 1941 FORD with slight modification)  
ORIGINAL SWAY BAR MUST BE REMOVED FOR PROPER  
INSTALLATION.



FOR PROPER INSTALLATION  
TORQUE THIS 7/16 NUT,  
ON BOTH SHACKLES,  
TO 25 FT/POUNDS