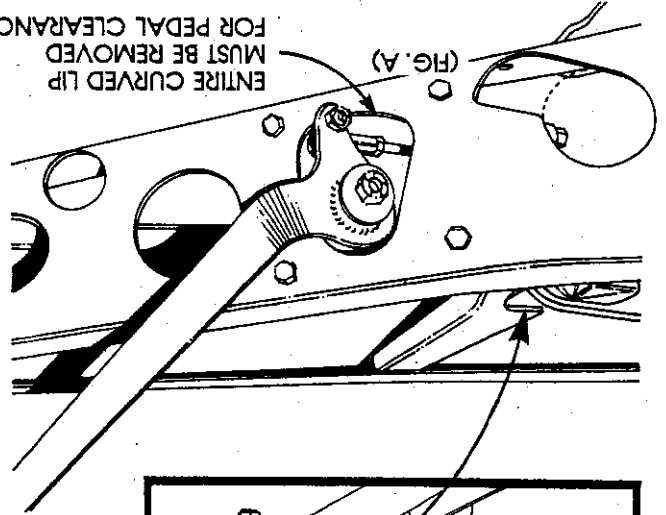
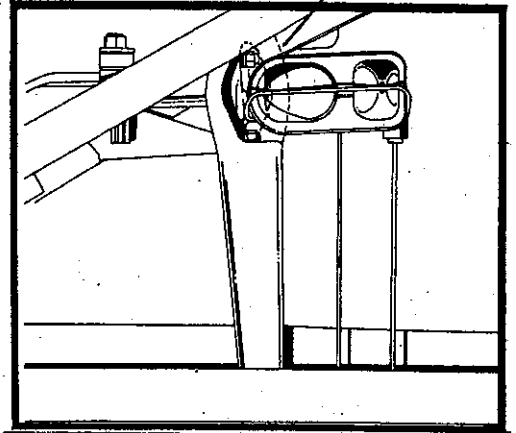


(DOTTED LINE SHOWS ORIGINAL FRAME HOLE)

FOR PEDAL CLEARANCE  
MUST BE REMOVED  
ENTIRE CURVED LIP  
(FIG. A)



DOTTED LINE SHOWS  
AREA TO BE REMOVED  
FOR MASTER CYLINDER  
CLEARANCE



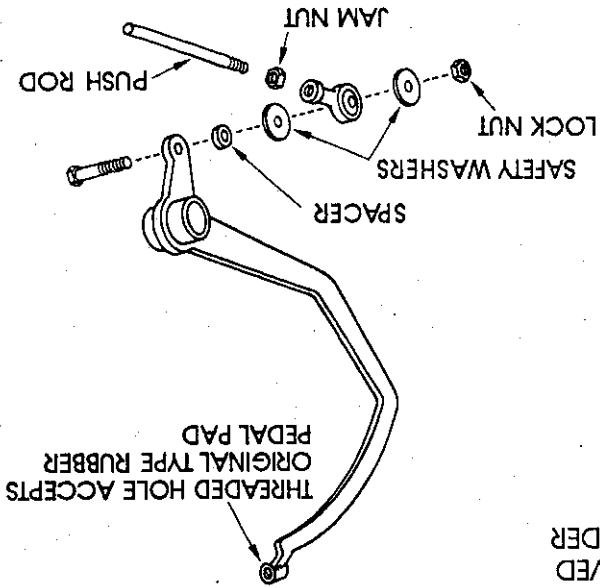
ALIGN WITH BOTTOM EDGE OF FRAME RAIL

CUT ALONG LINE

CAREFULLY CUT  
ON SOLID LINES  
WITH X-ACTO KNIFE

ONCE TEMPLATE IS  
LINED UP, MARK A  
LINE AROUND AREAS TO  
BE REMOVED

ALIGN THIS HOLE  
WITH LOWER LEFT  
MASTER CYLINDER  
BRACKET HOLE  
(FIG. A)



TRANSMISSION PAN  
CLEARANCE TEMPLATE

**'42-'48 FORD**

Instructions for #6009-#6010

