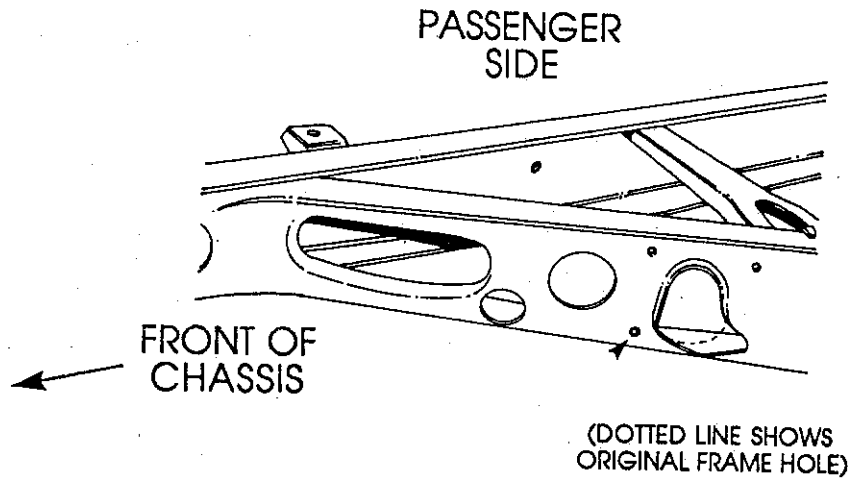


Instructions for #6009-#6010
'42-'48 FORD

**TRANSMISSION PAN
CLEARANCE TEMPLATE**

***PLEASE READ ALL INSTRUCTIONS BEFORE CUTTING TEMPLATES**



ONCE TEMPLATE IS
LINED UP, MARK A
LINE AROUND AREAS TO
BE REMOVED

