

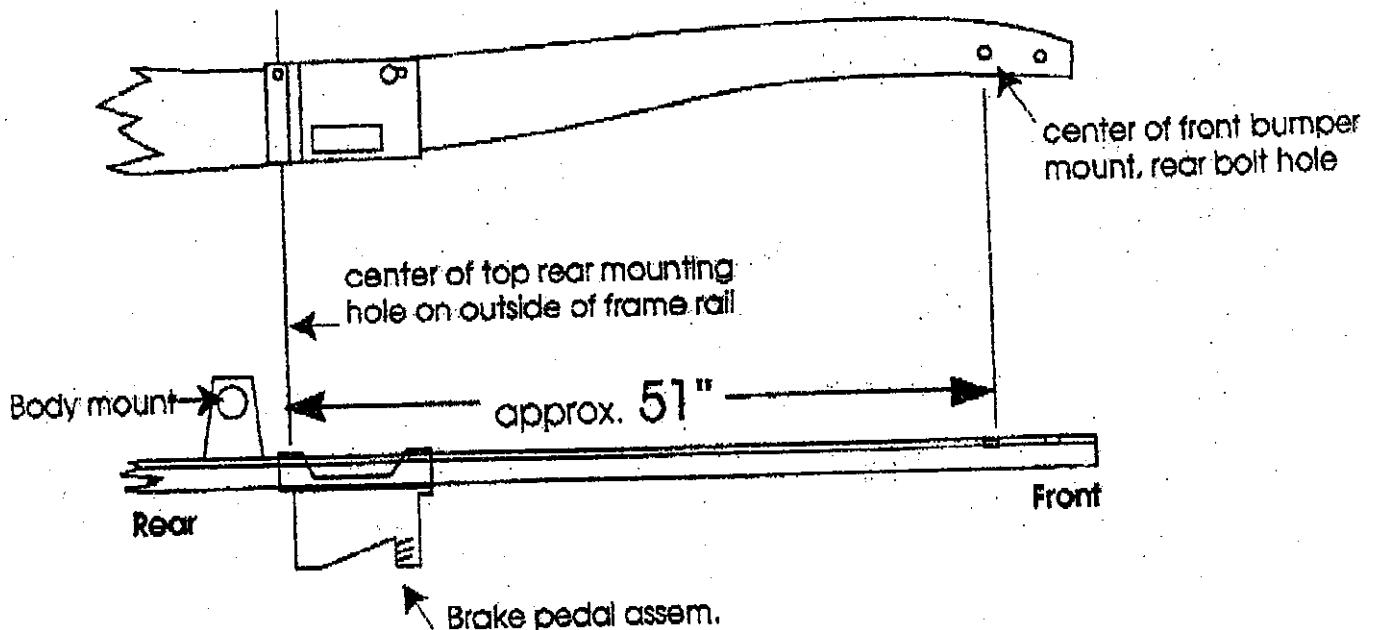
Tech Line (816) 758-4504

6410A

1940-48 CHEVY MASTER CYLINDER MOUNT AND PEDAL KIT POWER & MANUAL

NOTE: This kit will mount the pedal/booster to the side rail. Original crossmember must be removed for booster clearance. Pedal enters the floor through the original hole area. Will not fit convertible frames.

1. Remove original brake assembly.
2. Locate new mount over frame at the dimensions provided below.
3. Install pedal arm and check all clearances.
4. Mark and drill holes through the frame rail. Install bolts and tighten securely.
5. Install booster and/or master cylinder. Install and adjust linkage.



Pete & Jake's Hot Rod Parts • 401 Legend Lane • Peculiar, MO • 64078