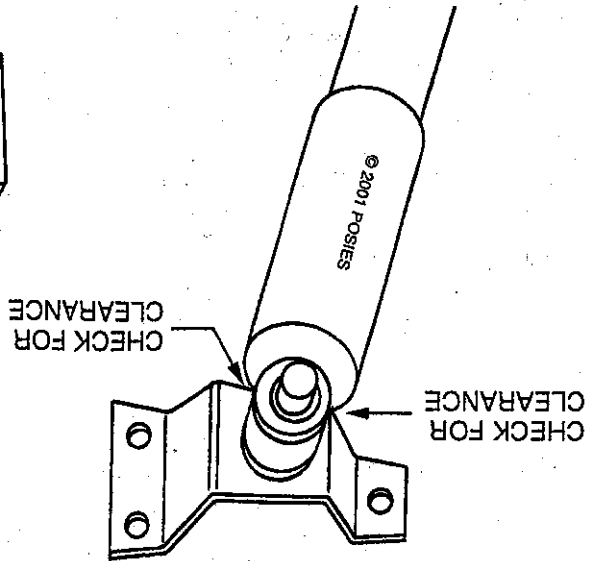
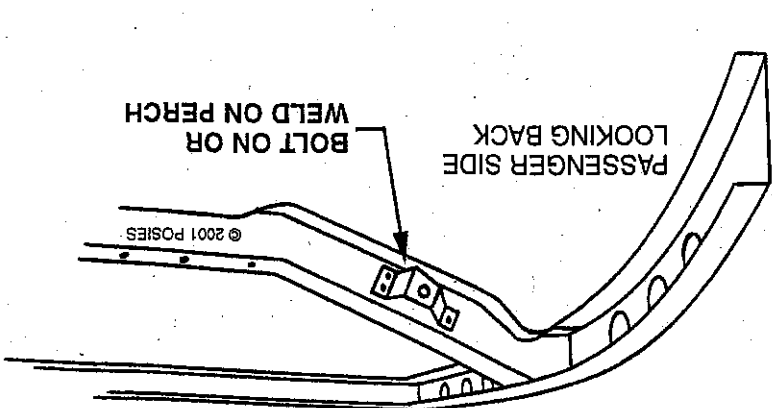


POSIES Rear Shock Kit

1932-40 FORD BOLT-IN

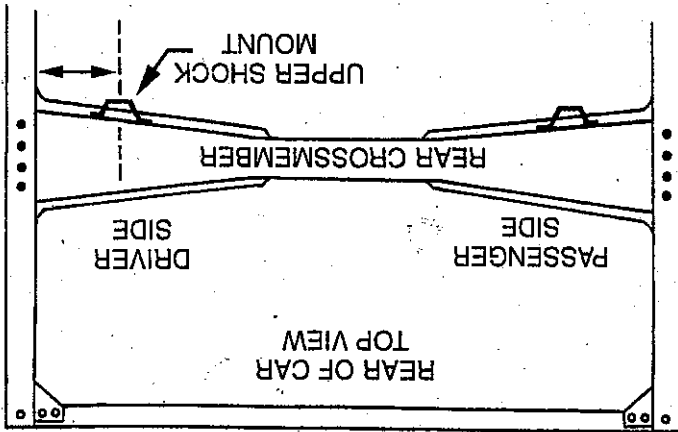
#8008



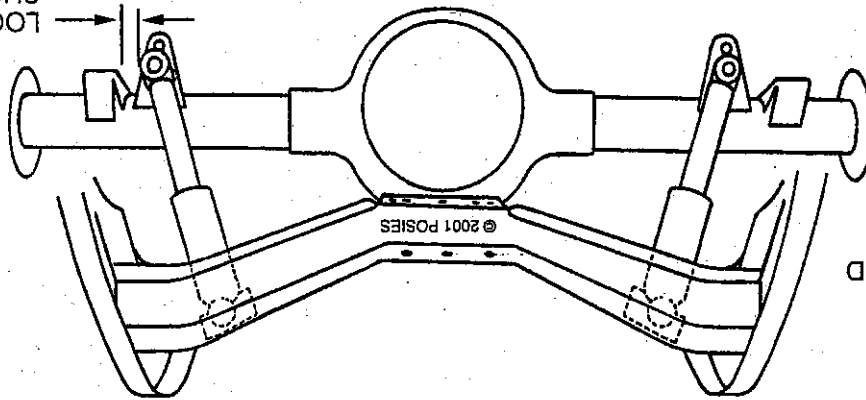
KIT INCLUDES:

- 2 — Shocks
- 2 — 7/16" Bolts
- 2 — 7/16" Course Lock Nuts and Washers
- 2 — Upper Frame Brackets and Washers
- 2 — Lower Shock Studs
- 2 — 1/2" Lock Nuts
- 2 — 7/16" Fine Lock Nuts and Washers
- 6 — Nuts/Bolts for bolt on kit

NOTE: Lower Shock Perch with Posies rear kit or sold separately.



LOCATE UPPER SHOCK MOUNT ABOUT 9" TO 10" FROM INSIDE OF FRAME RAIL TO CENTER BOLT



When you are finished mocking up, make sure that your shock is compressed to about 12-1/2" with the full weight of the vehicle. If you are using lowering blocks, make sure shocks don't bottom out.

POSIES

219 North Duke Street, Hummelstown, PA 17036
(717) 566-3340 • www.posiesrandsandcustoms.com