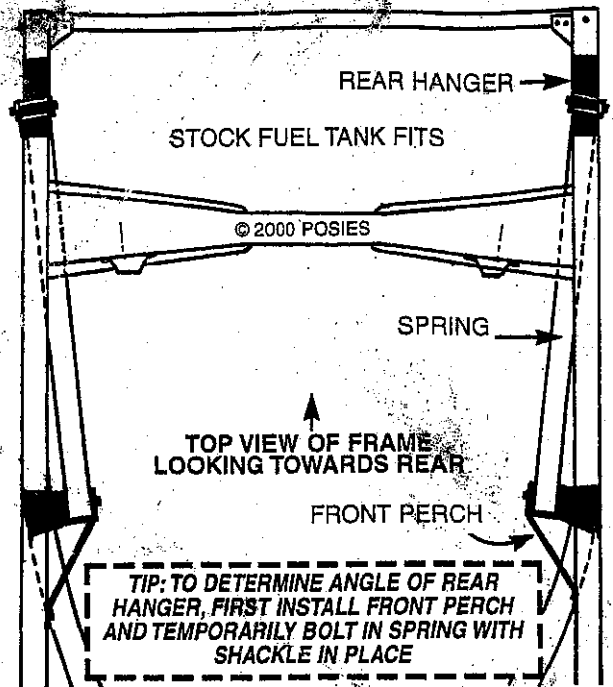


POSIES *Rear Super Slide Spring KIT*

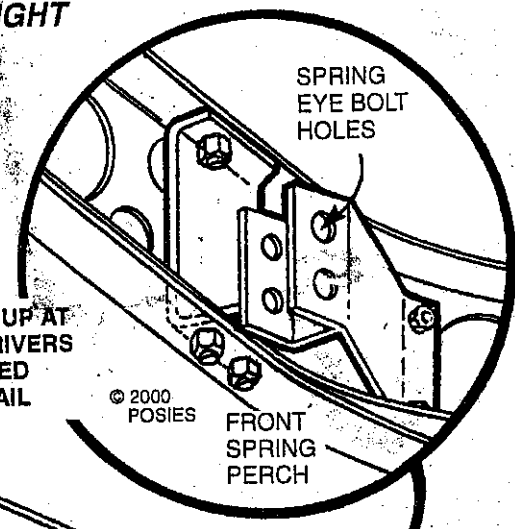
1935-40 FORD NOTE: THIS KIT MUST BE USED WITH ORIGINAL REAR CROSS MEMBER AND GUSSETS

#8040B



BOLT ON REAR KIT WITH SUPER SLIDE SPRINGS

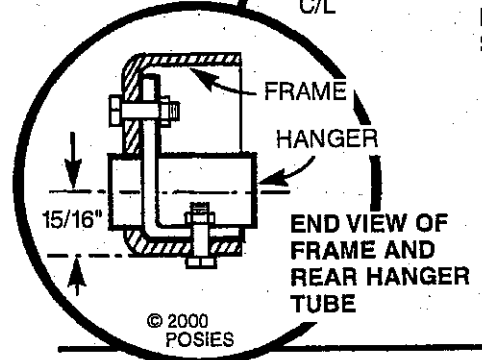
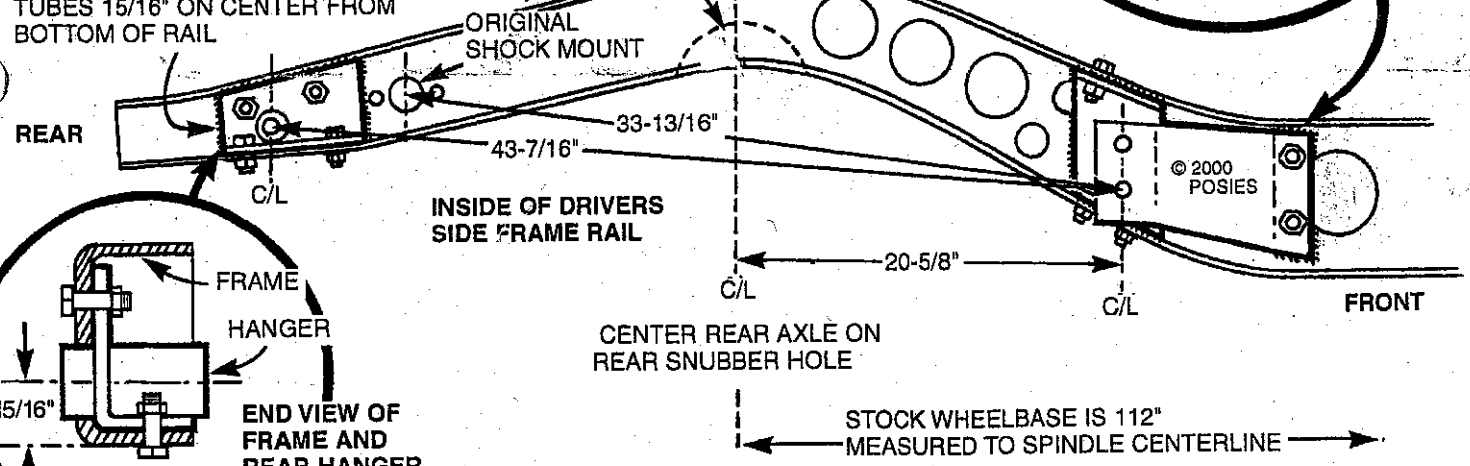
- FEATURES:**
- SMOOTH RIDE
 - BOLT ON BRACKETS
 - 2 POSITION ADJUSTABLE HEIGHT
 - SUPER LOW
 - BEST PRICE



LOOKING UP AT INSIDE DRIVERS SIDE BOXED FRAME RAIL

CUT 1-1/8" HOLE IN SIDE OF FRAME RAIL FOR REAR HANGER TUBES 15/16" ON CENTER FROM BOTTOM OF RAIL

"C"ING THE FRAME MAY BE NEEDED



REAR SHOCK KIT AVAILABLE—#8008

NOTE:

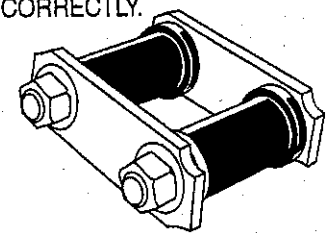
- ★ STOCK WHEELBASE IS 112"
- ★ KIT MUST BE USED WITH REAR CROSSMEMBER
- ★ C/L= CENTER LINE
- ★ "-----" = WELD
- ★ LOCATE YOUR UPPER SHOCK PERCH APPROXIMATELY 9" TOWARD THE CENTER OF CAR FROM OUTER FRAME RAIL. LOCATE LOWER PERCH 1" FROM AXLE SADDLE
- ★ KIT IS WELD-IN.

KIT INCLUDES:

- (2) FRONT BOLT-ON SPRING PERCHES WITH 10 BOLTS AND NUTS
- (2) BOLTS AND LOCK NUTS FOR FRONT OF SPRING
- (2) AXLE SADDLES
- (4) U-BOLTS AND 8 DEEP NUTS
- (2) LOWER U-BOLT PLATES
- (2) REAR HANGER TUBES W/BRACKETS AND 8 BOLTS
- (2) SHACKLES W/BUSHINGS
- (2) LOWER SHOCK MOUNTS
- (2) SUPER SLIDE SPRINGS

IMPORTANT:

MAKE SURE YOU TIGHTEN THE SHACKLE NUTS SO THAT THE LAST THREAD IS PAST THE NUT. YOUR SHACKLE RUBBERS WILL THEN LAST MANY MILES AND WORK CORRECTLY.



© 2000 POSIES



219 North Duke St., Hummelstown, PA 17036
(717) 566-3340 • www.posiesrodsandcustoms.com