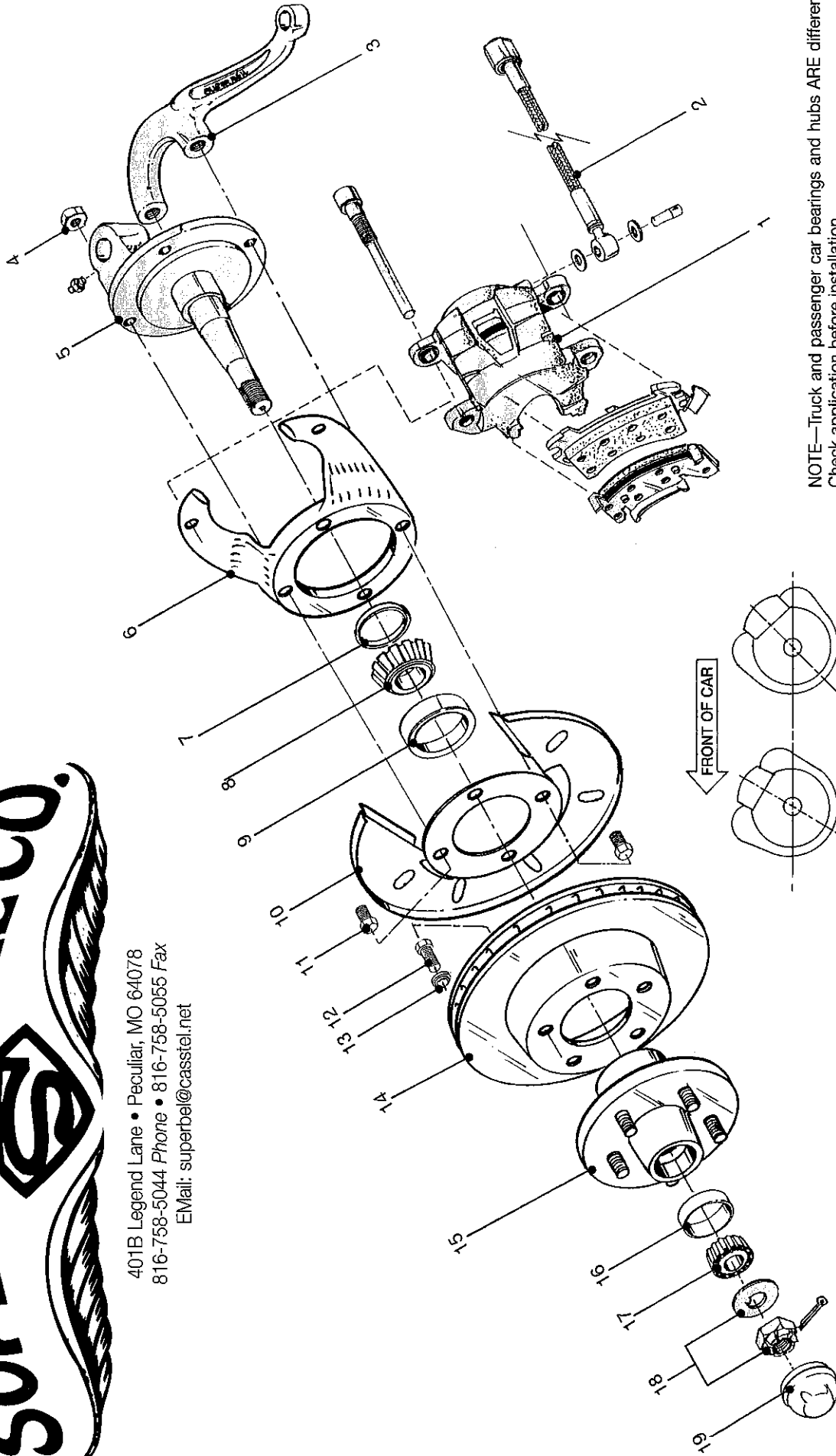


SUPER BELL AXLE CO.

401B Legend Lane • Peculiar, MO 64078
 816-758-5044 Phone • 816-758-5055 Fax
 Email: superbel@casstel.net

POWER STOPPER FRONT KIT (#3231-3234 Shown)



NOTE—Truck and passenger car bearings and hubs ARE different! Check application before installation.

NOTE—Loctite should be applied to rotor bolts (part #3231-12, #12 in drawing) before final assembly.

NOTE—Check surface of spindle face carefully for nicks and burrs where caliper bracket attaches. Clean up with a file if necessary.

NOTE—When bolt-on steering arms, check bolt length to be sure bolt does not bottom out before it tightens.

NOTE—Some spindles require grinding on lower boss to clear the rotor shield.

Location for most early Ford spindles and '39-'47 trucks

Location for most '48-'56 Ford trucks

NOTE—Super Bell's kits are designed to mount the calipers as Ford intended, toward the rear of the vehicle. The caliper mounting brackets may be switched left to right to change the angle of the calipers. After this installation, turn the wheels completely to the right and left to be sure the brake lines do not come in contact with any part of the vehicle.