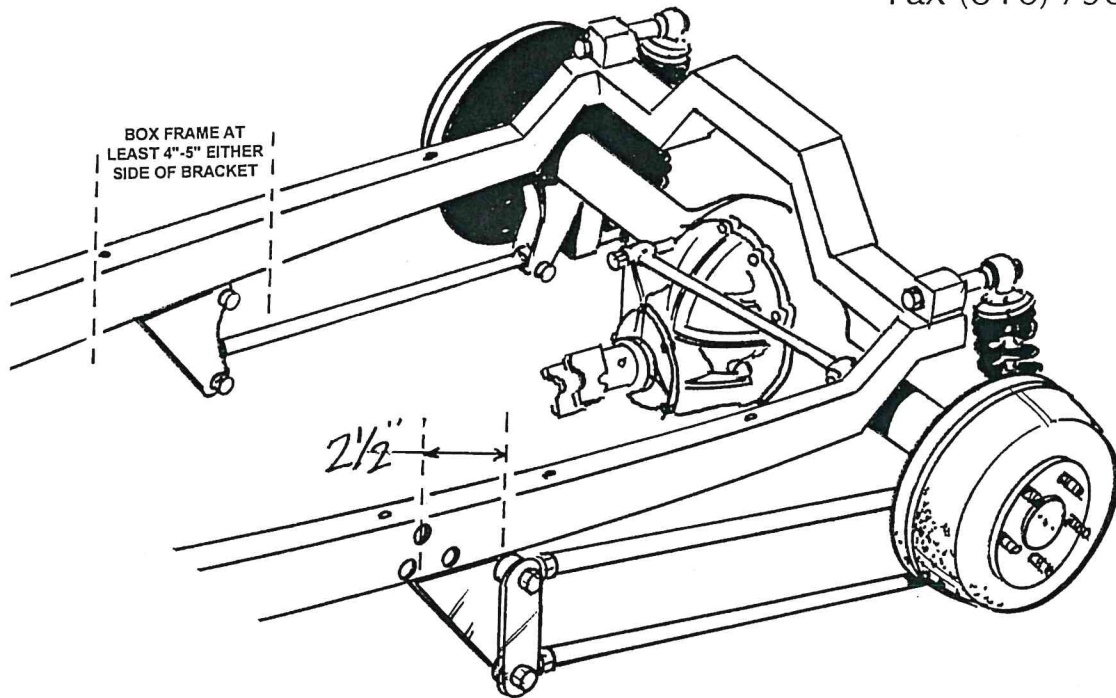


INSTRUCTION FOR #2017

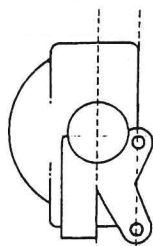
'28-'31 Model 'A'  
**PARALLEL  
 4-BAR®**

Tech Line (816) 758-4504  
 800-334-7240  
 Fax (816) 758-4512

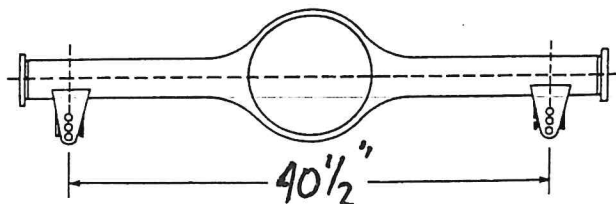


• **BOX FRAME AT LEAST 4"-5" ON EITHER SIDE OF FRONT MOUNTING BRACKETS**

1. **TO LOCATE FRONT MOUNTING BRACKETS, MEASURE 2 1/2" BACK FROM CENTER OF TOP RUNNING BOARD BRACKET HOLE TO CENTER OF HOLES IN MOUNTING BRACKET. BE SURE HOLES ALIGN PERPENDICULAR TO FRAME.**
2. **LOCATE REAR BRACKETS 41 5/8" APART FROM CENTER OF COIL-OVER MOUNTING HOLES. BRACKETS MUST BE PLACED AN EQUAL DISTANCE FROM EACH END OF AXLE HOUSING. FRONT FACE OF HOUSING MUST BE PARALLEL TO REAR FACE OF MOUNTING BRACKETS.**



SIDE VIEW



BACK VIEW